

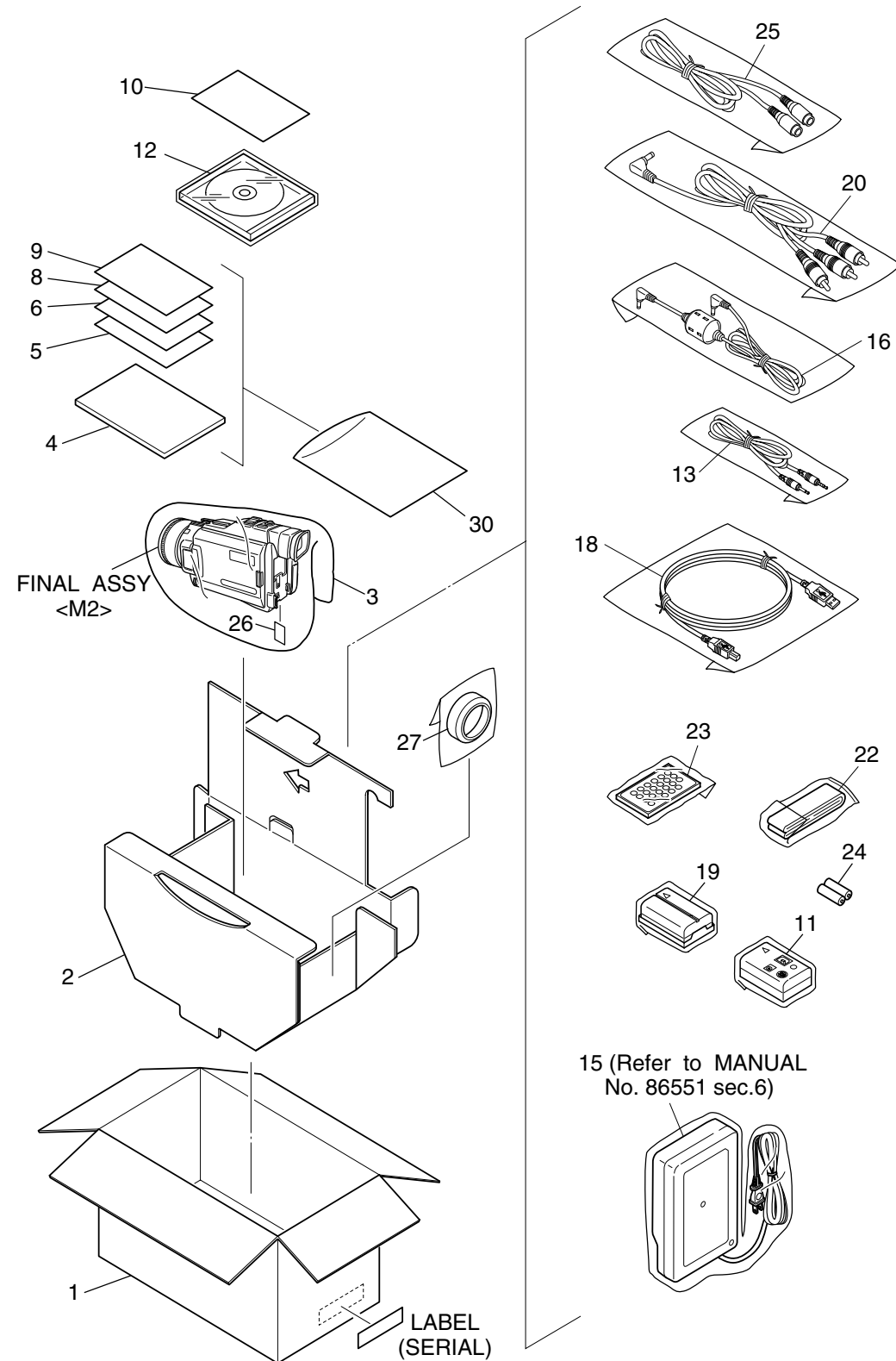
SECTION 5 PARTS LIST

SAFETY PRECAUTION

Parts identified by the \triangle symbol are critical for safety. Replace only with specified part numbers.

5.1 PACKING AND ACCESSORY ASSEMBLY <M1>

The instruction manual to be provided with this product will differ according to the destination.



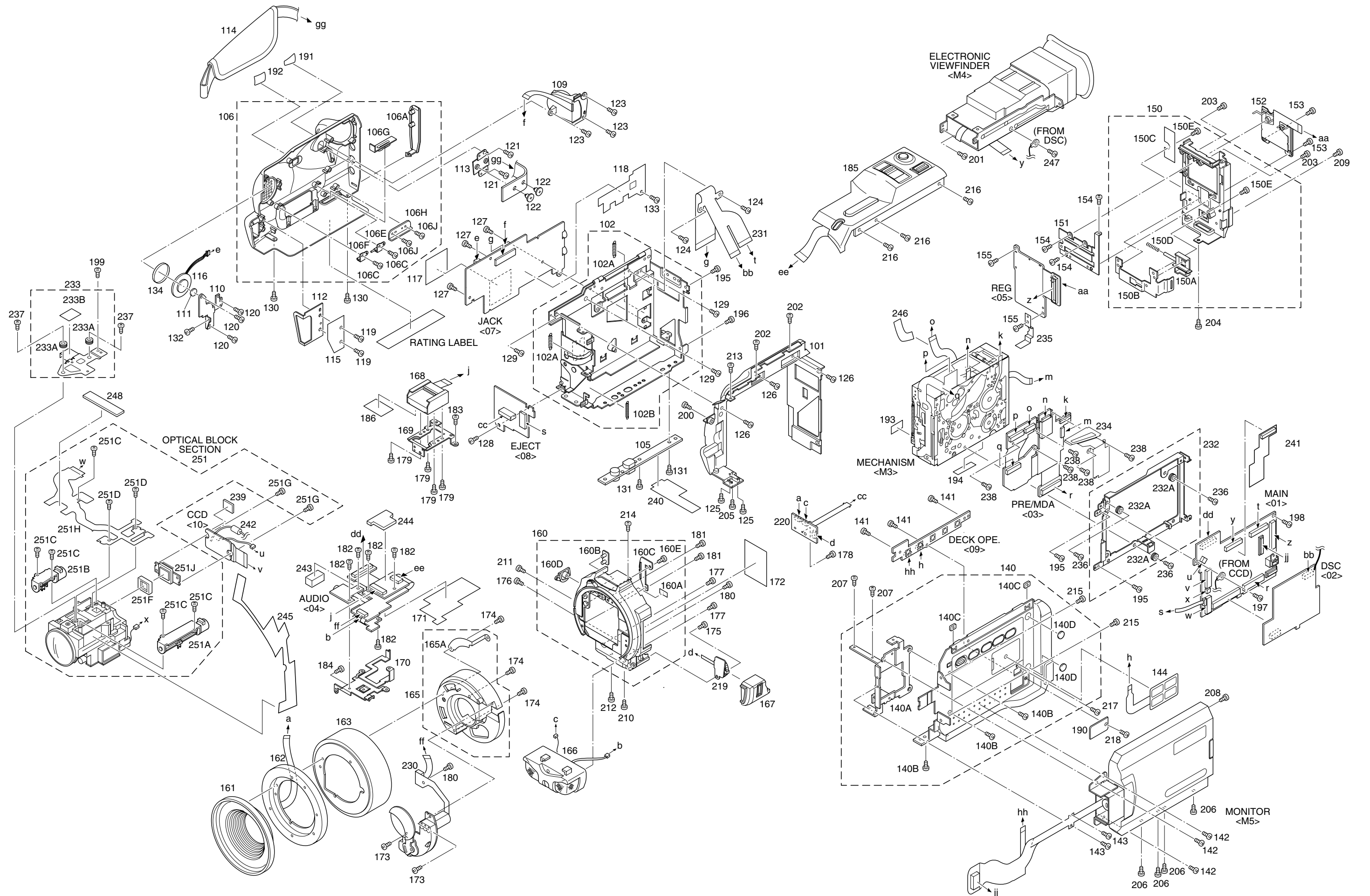
\triangle REF No. PART No. PART NAME, DESCRIPTION

PACKING AND ACCESSORY ASSEMBLY <M1>

1	LY32164-001B	PACKING CASE
2	LY20666-001B	CUSION
3	LY30023-020A	POLY BAG
\triangle 4	LYT0708-001A	INST.BOOK(EN)
\triangle 4	LYT0708-002A	INST.BOOK(FR)
\triangle 4	LYT0708-003A	INST.BOOK(SP)
5	LYT0708-004A	INST.BOOK(PRINTER.EN)
	LYT0708-005A	INST.BOOK(PRINTER.FR)
	LYT0708-006A	INST.BOOK(PRINTER.SP)
\triangle 6	LYT0709-001A	INST.BOOK(SOFT.3LANG)
8	LYT0378-003A	SHEET(AGREMENT)
9	BT-51005-4	WARRANTY INF.
10	BT-51020-2	REGIST.CARD
11	LY20677-002A	JACK BOX
12	LY31133-021A	CD ROM
13	PEAC0428-150	CABLE ASSY,EDITING CABLE
\triangle 15	LY20591-001B	AC POWER ADAPTER/CHARGER,AA-V40U
16	QAM0170-001	DC CORD
18	QAM0322-001	USB CABLE
\triangle 19	LY31587-001A	BATTERY PACK,BN-V408U
20	QAM0211-001	CABLE ASSY,AUDIO/VIDEO CABEL
22	LY20186-001A	SHOULDER STRAP
23	LY20543-002A	REMOTE CONTROL UNIT,RM-V716U
24	-	BATTERY,AAA(R03),X2
25	QAM0004-004	S VIDEO CABLE
26	QAM0321-002	MULTIMEDIA CARD
27	LY32003-001A	LENS HOOD
30	QPA02003006	POLY BAG

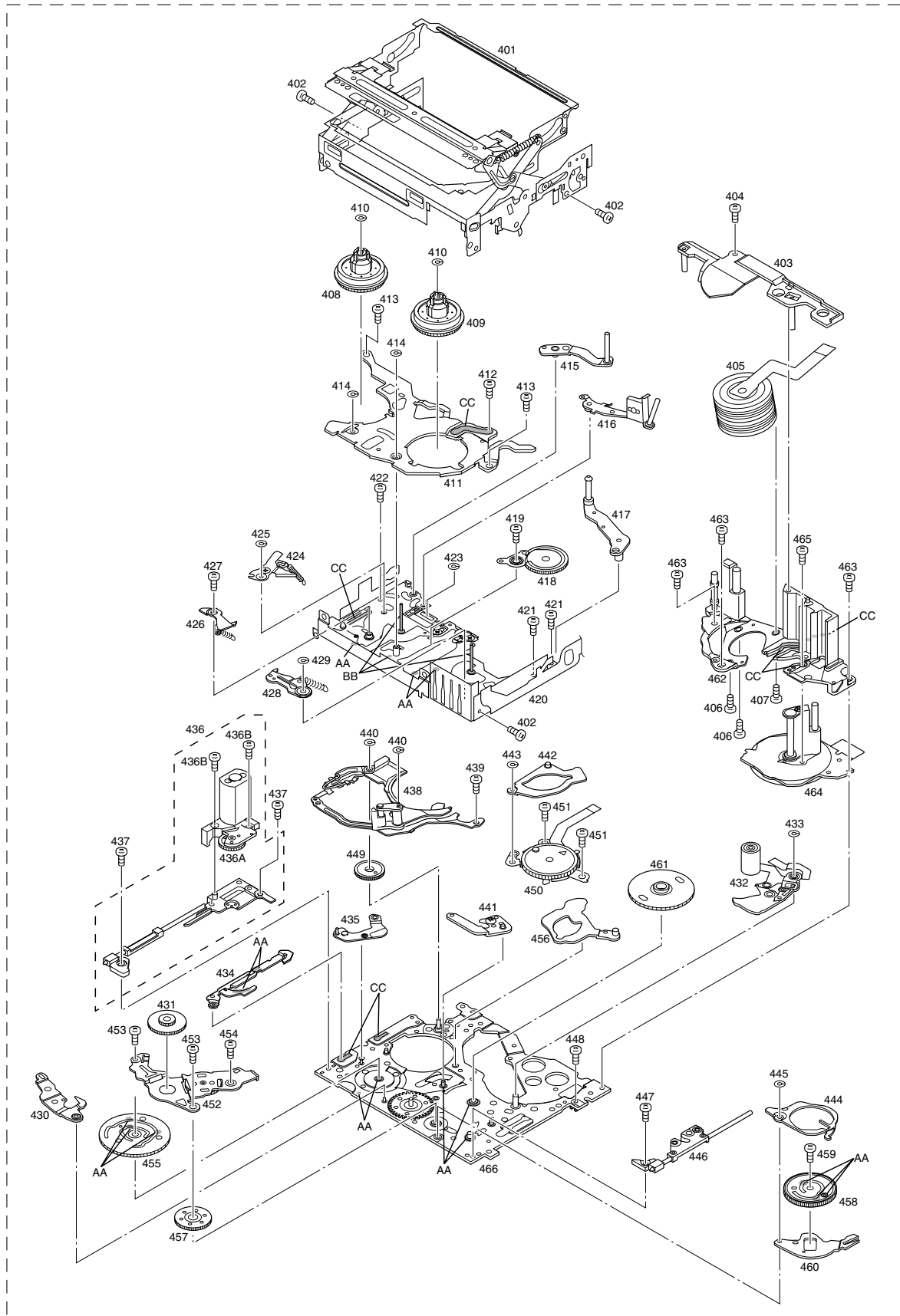
• INSTRUCTIONS
EN ENGLISH
FR FRENCH
SP SPANISH

5.2 FINAL ASSEMBLY <M2>



#	△ REF No.	PART No.	PART NAME, DESCRIPTION	#	△ REF No.	PART No.	PART NAME, DESCRIPTION

FINAL ASSEMBLY <M2>							
		101	LY10266-001A	LOWER CASE	172	LY42920-001A	SHEET(FRONT)
		102	LY31964-001E	ARM ASSY	173	LY30018-021A	SPECIAL SCREW,X2
		102A	LY30002-046B	COMPRESSION SPRING,X2	174	LY30018-0A1A	SPECIAL SCREW,X3
		102B	LY42814-001A	TENSION SPRING	175	LY30018-021A	SPECIAL SCREW
		105	LY31984-001B	BASE	176	LY30018-037A	SPECIAL SCREW
△		106	LY20657-002B	CASSETTE COVER ASSY	177	LY30018-037A	SPECIAL SCREW,X2
		106A	LY31973-001A	JACK COVER	178	LY30018-021A	SPECIAL SCREW
		106C	LY30018-021A	SPECIAL SCREW,X2	179	LY30018-031A	SPECIAL SCREW,X4
		106E	LY32045-001A	HINGE ASSY(C)	180	LY30018-052A	SPECIAL SCREW,X2
		106F	LY32045-002A	HINGE ASSY(C)	181	LY30018-0C1A	SPECIAL SCREW
		106G	LY42786-001A	KNOB(LOCK)	182	LY30018-032A	SPECIAL SCREW,X5
		106H	LY42787-001A	HOLDER(LOCK)	183	LY30018-032A	SPECIAL SCREW
		106J	LY30018-037A	SPECIAL SCREW,X2	184	LY30018-021A	SPECIAL SCREW
		109	LY20653-002A	POWER OPE.UNIT	185	LY10262-002A	ZOOM OPE.UNIT
		110	LY31977-001A	HOLDER(SPK)	186	LY30029-0D1A	SPACER(A)
		111	LY42918-001B	SPACER(SPK)	190	LY41393-004A	COVER(JIG CONN)
		112	LY42788-001A	HOOK	191	LY42790-001A	COVER(CASS)
		113	LY42789-001B	BRACKET(GRIP BELT)	192	LY32039-001B	COVER(CASS.R)
		114	LY20658-002A	GRIP BELT	193	LY40699-002A	LABEL(PUSH)
		115	LY43019-001A	SHEET(GRIP BELT)	194	LY32001-002A	LABEL(HOUSING)
		116	QAS0063-001	SPEAKER	195	QYSPSPT1715Z	SCREW,X3
		117	LY42878-001C	SHEET(MMC)	196	LY30018-017A	SPECIAL SCREW
		118	LY42881-001C	SPACER(JACK)	197	LY42424-001A	SPECIAL SCREW
		119	QYSLSF2050D	SCREW,X2	198	LY30019-002A	SPECIAL SCREW
		120	LY30018-021A	SPECIAL SCREW,X3	199	LY30018-006B	SPECIAL SCREW
		121	QYSLSF2040D	SCREW,X2	200	LY30018-006B	SPECIAL SCREW
		122	LY30018-0C7A	SPECIAL SCREW,X2	201	LY30018-059A	SPECIAL SCREW
		123	LY30018-0B7A	SPECIAL SCREW,X3	202	LY30018-006B	SPECIAL SCREW,X2
		124	LY30018-005A	SPECIAL SCREW,X2	203	LY30018-0C2A	SPECIAL SCREW,X2
		125	LY30018-080A	SPECIAL SCREW,X2	204	LY30018-011A	SPECIAL SCREW
		126	LY30018-006B	SPECIAL SCREW,X3	205	LY30018-044A	SPECIAL SCREW
		127	QYSPSPT1720R	SCREW,X3	206	LY30018-044A	SPECIAL SCREW,X4
		128	QYSPSPT1720R	SCREW	207	LY30018-006B	SPECIAL SCREW,X2
		129	LY30018-0B7A	SPECIAL SCREW,X3	208	LY30018-044A	SPECIAL SCREW
		130	LY30018-038A	SPECIAL SCREW,X2	209	LY30018-011A	SPECIAL SCREW
		131	LY30018-006B	SPECIAL SCREW,X2	210	LY30018-044A	SPECIAL SCREW
		132	LY30018-032A	SPECIAL SCREW	211	LY30018-059A	SPECIAL SCREW
		133	LY30018-0B7A	SPECIAL SCREW	212	LY30018-063A	SPECIAL SCREW
		134	LY40301-001A	SPACER(SPK)	213	LY30018-006B	SPECIAL SCREW
△		140	LY20659-002B	UPPER CASE ASSY	214	LY30018-006B	SPECIAL SCREW
		140A	LY31981-001A	BRACKET(HINGE)	215	LY30018-059A	SPECIAL SCREW,X2
		140B	LY30018-0A8A	SPECIAL SCREW,X3	216	LY30018-006B	SPECIAL SCREW,X3
		140C	LY40162-001A	BRACKET,X2	217	LY30018-006B	SPECIAL SCREW
		140D	LY40664-001A	SPACER,X2	218	LY30018-026A	SPECIAL SCREW
		141	LY30018-020A	SPECIAL SCREW,X3	219	LY32072-001A	MENU SW UNIT
		142	LY30018-042A	SPECIAL SCREW,X3	220	LY32071-001A	FRONT FPC UNIT
		143	LY30018-055A	SPECIAL SCREW,X2	230	LY20676-001C	LENS SHUTTER ASSY
		144	LY32051-002A	SUB OPE.UNIT	231	QAL0260-001	FPC,JACK CN301
		150	LY31986-002B	REAR COVER ASSY	232	LY32066-001A	BRACKET(MECHA)ASSY
		150A	LY31988-001D	KNOB(B.RELEASE)	232A	LY42796-001A	BUSH,X3
		150B	LY31989-001A	BRACKET(B.RELEASE)	233	LY32067-001B	BRACKET(OP)ASSY
		150C	LY42792-001A	SHEET(REAR)	233A	LY42796-001A	BUSH,X2
		150D	LY30002-048A	COMPRESSION SPRING	233B	LY30029-0C6A	SPACER(A)
		150E	LY30018-066A	SPECIAL SCREW,X2	234	LY32012-001A	SHIELD COVER(PR)
		151	LY31987-001A	BRACKET(TERM)	235	LY42889-001A	SHIELD(REG)
		152	LY20660-001B	BATTERY TERMINAL UNIT	236	LY30019-028A	SPECIAL SCREW,X3
		153	LY30018-038A	SPECIAL SCREW,X2	237	LY30019-029B	SPECIAL SCREW,X2
		154	LY30018-019A	SPECIAL SCREW,X3	238	QYSPSPT1414M	SCREW,X5
		155	LY30018-060A	SPECIAL SCREW,X2	239	LY30029-0E6A	SPACER(A)
		160	LY20661-002A	FRONT COVER ASSY	240	LY43002-001A	HEAT SINK(BASE)
		160A	LY30029-0B1A	SPACER(A)	241	LY42972-001A	HEAT SINK(MAIN)
		160B	LY31992-001A	LEVER(P/S)	242	LY32194-001B	LUG WIRE ASSY
		160C	LY31993-001A	HOLDER(P/S)	243	LY30029-0C8A	SPACER(A)
		160D	LY31995-001A	COVER(JACK)	244	LY42952-001A	SHEET(AUDIO)
		160E	LY30018-0A7A	SPECIAL SCREW	245	LY42951-001B	SHEET(OP)
		161	LY32009-001B	HOOD	246	LY43025-001A	SHEET(D.FPC)
		162	LY20654-001A	FOCUS UNIT	247	QYSPSPT1712M	SCREW
		163	LY31996-002A	COVER(OP)	248	LY30029-0F3A	SPACER(A)
		165	LY42840-001B	FRAME ASSY	- OPTICAL BLOCK SECTION -		
		165A	LY42841-001B	SHEET(EARTH)	251	J9C-101A	OPTICAL BLOCK ASSY
		166	LY20664-001A	MICROPHONE	251A	LY31901-001A	ZOOM MOTOR
		167	LY31997-002A	COVER(MENU)	251B	LY31902-001A	FOCUS MOTOR
		168	LY42949-001A	SHOE ASSY	251C	LY30727-002A	SCREW,X5
		169	LY31999-001A	BRACKET(H.S)	251D	LY30727-001A	SCREW,X2
		170	LY20665-001A	BRACKET(AUDIO)	251F	LY31900-001A	SPACER RUBBER
		171	LY42913-001A	SHEET(AUDIO)	251G	QYSPSGU1750Z	SCREW,X2
					251H	LY31903-001A	IRIS MOTOR UNIT
					251J	LYH40136-001A	CCD BASE ASSY



Classification	Part No.	Symbol in drawing
Grease	KYODO-SH-P	AA
Oil	YTU94027	BB
Grease (HANARL)	RX-410R	CC

NOTE: The section marked in **AA** and **BB**, **CC** indicate lubrication and greasing areas.

▲ REF No. PART No. PART NAME, DESCRIPTION

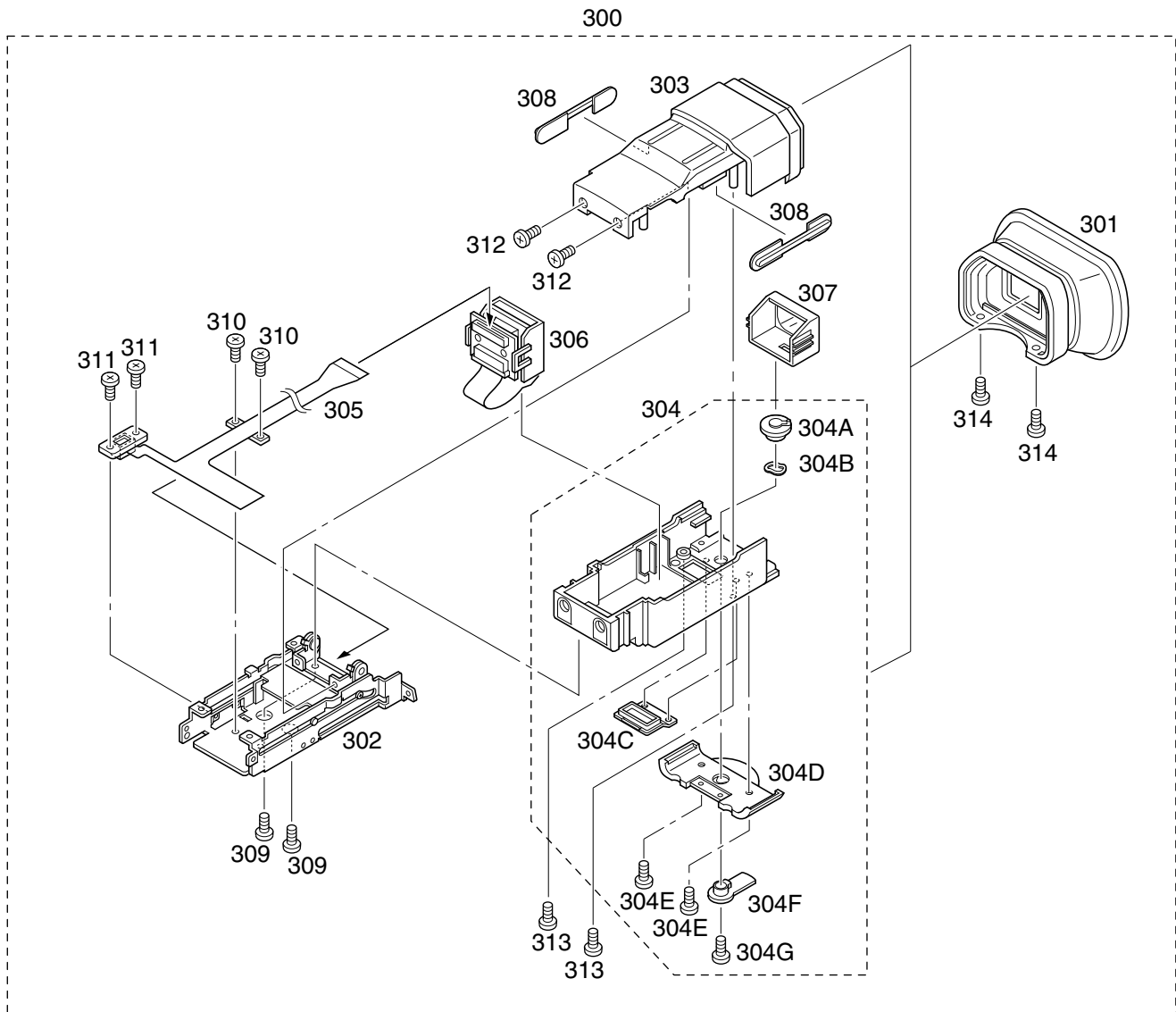
MECHANISM ASSEMBLY <M3>

400	YMA0029A	MECHA(A) ASSY
401	LY31543-002B	CASSETTE HOUSING ASSY
402	YQ43893-8	MINI SCREW,X3
403	LY31542-001D	U.BASE ASSY
404	YQ43893	MINI SCREW
405	YDV2096A	DRUM ASSY
406	LY42820-001A	DAMP.SCREW ASSY,X2
407	LY42820-002A	DAMP.SCREW ASSY
408	LY31538-001B	REEL DISK ASSY
409	LY31538-002B	REEL DISK ASSY
410	YQ44246	SLIT WASHER,X2
411	LY10217-001A	REEL COVER ASSY
412	LY42120-001A	MINI SCREW
413	LY41945-003A	MINI SCREW,X2
414	YQ44246	SLIT WASHER,X2
415	LY42025-001A	TEN.ARM ASSY
416	LY31535-001A	S.POLE ARM ASSY
417	LY42031-001C	TU ARM ASSY
418	LY31531-001A	SWING ARM ASSY
419	YQ43893	MINI SCREW
420	LY20530-001A	SLIDE DECK F.ASSY
421	YQ43893	MINI SCREW,X2
422	LY43023-001A	MINI SCREW
423	YQ44246	SLIT WASHER
424	LY31533-001C	PAD ARM ASSY
425	YQ44246	SLIT WASHER
426	LY42014-001A	SUP BRAKE ASSY
427	YQ43893	MINI SCREW
428	LY42016-001A	TU BRAKE ASSY
429	YQ44246	SLIT WASHER
430	LY41959-001A	T.C.LEVER ASSY
431	LY31525-001A	CENTER GEAR
432	LY31516-001B	P.R.ARM F.ASSY
433	YQ44246	SLIT WASHER
434	LY41956-001A	T.C.PLATE ASSY
435	LY41962-001A	B.C.LEVER ASSY
436	LY20525-001C	MOTOR BRACKET ASSY
436A	QAR0138-001	LOADING MOTOR
436B	LY41940-001A	TAPPING SCREW,X2
437	YQ43893	MINI SCREW,X3
438	LY20528-001B	GUIDE RAIL ASSY
439	YQ43893	MINI SCREW
440	YQ44246	SLIT WASHER,X2
441	LY31498-002A	SLIDE LEVER2 ASSY
442	LY41965-001A	LOAD.PLATE ASSY
443	YQ44246	SLIT WASHER
444	LY31522-001A	EJECT LEVER
445	YQ44246	SLIT WASHER
446	LY41929-001A	BASE R ASSY
447	YQ43893	MINI SCREW
448	LY41945-001A	MINI SCREW
449	LY41930-001A	MODE GEAR
450	QSW0876-001	ROTARY ENCODER
451	YQ43893	MINI SCREW,X2
452	LY31524-001A	GEAR COVER ASSY
453	YQ43893	MINI SCREW,X2
454	YQ43893-4	MINI SCREW
455	LY41948-001A	MAIN CAM ASSY
456	LY41941-001A	SLIDE ARM ASSY

▲ REF No. PART No. PART NAME, DESCRIPTION

457	LY41951-001A	CONNECT GEAR 2
458	LY41954-001A	SUB CAM ASSY
459	LY42120-001A	MINI SCREW
460	LY41952-001A	CONTROL ARM ASSY
461	LY31523-001A	REEL GEAR 1
462	LY31508-001B	DRUM BASE ASSY
463	QYSPSPU1425M	SCREW,X3
464	QAR0142-001	CAPSTAN MOTOR
465	YQ43893	MINI SCREW
466	LY10210-001A	MAIN DECK ASSY

5.4 ELECTRONIC VIEWFINDER ASSEMBLY <M4>



▲ REF No. PART No. PART NAME, DESCRIPTION

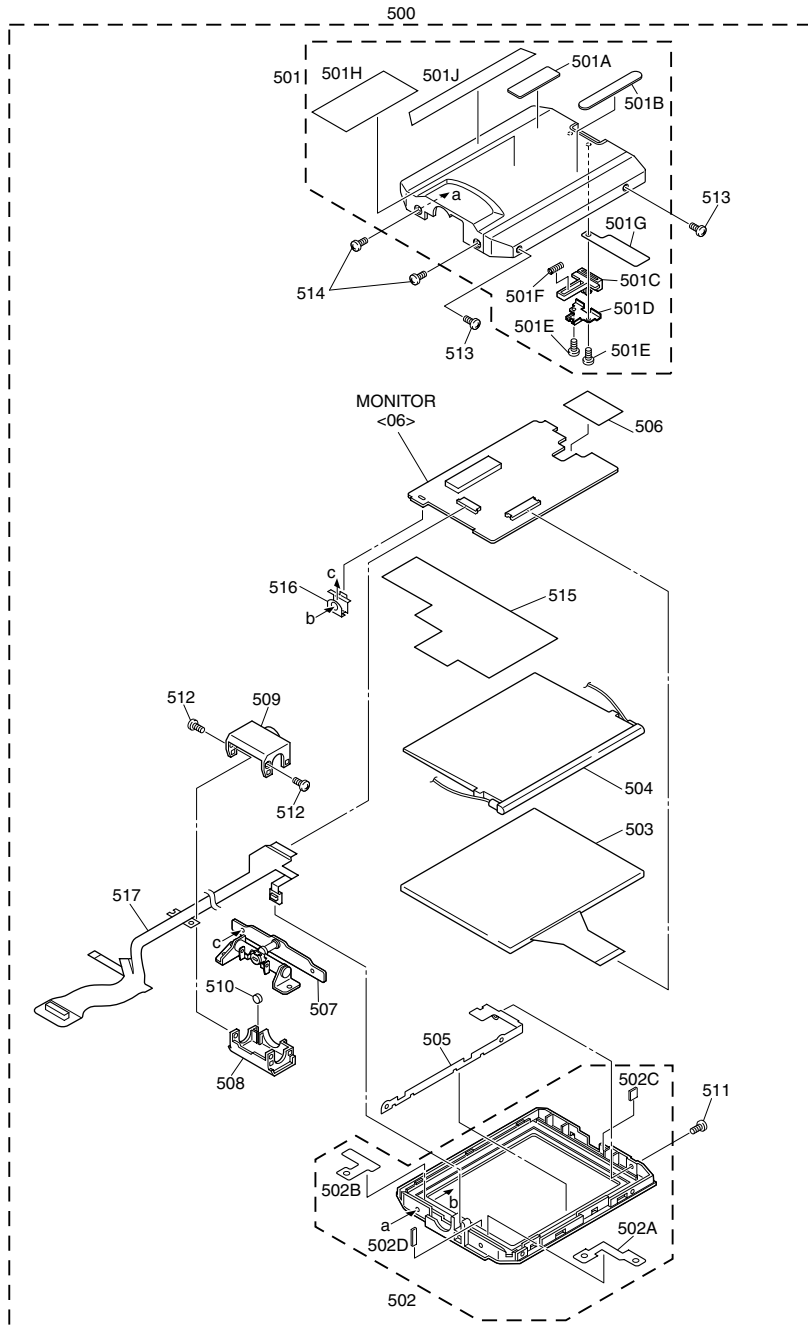
ELECTRONIC VIEWFINDER ASSEMBLY <M4>

REF No.	PART No.	PART NAME, DESCRIPTION
300	LY20671-002C	VF UNIT
301	PTY20671-001	EYE CAP
302	PTY20671-011	BRACKET(VF)ASSY
303	PTY20671-021	UPPER CASE ASSY
304	PTY20671-031	BOTTOM CASE ASSY
304A	PTY20671-032	LINK(VF)
304B	PTY20671-033	WAVE WASHER
304C	PTY20671-034	CAP
304D	PTY20671-035	COVER(CAP)

▲ REF No. PART No. PART NAME, DESCRIPTION

304E	PTY30018-0C8A	SCREW,X2
304F	PTY20671-037	LEVER(VF)
304G	LY30018-063A	SCREW
305	LY32070-001B	VF FPC ASSY
306	PTY20671-041	LCD UNIT
307	PTY20671-051	LENS ASSY
308	PTY20671-061	RIB,X2
309	LY30018-084A	SCREW,X2
310	LY30018-031A	SCREW,X2
311	LY30018-006B	SCREW,X2
312	LY30018-067B	SCREW,X2
313	LY30018-084A	SCREW,X2
314	LY30019-034A	SCREW,X2

5.5 MONITOR ASSEMBLY <M5>



▲ REF No. PART No. PART NAME, DESCRIPTION

MONITOR ASSEMBLY <M5>

#	▲	REF No.	PART No.	PART NAME, DESCRIPTION
▲	500	LYH20192-002A		MONITOR ASSY
▲	501	LY32013-002B		MONITOR COVER ASSY
	501A	LY42883-002A		MARK
	501B	LY42798-001A		MARK
	501C	LY32014-001A		KNOB(LOCK)
	501D	LY42799-001A		BRACKET(LOCK)
	501E	LY30018-019A		SPECIAL SCREW,X2
	501F	LY30002-047A		COMPRESSION SPRING
	501G	LY42800-001A		SHEET(LOCK)
	501H	LY42980-001A		STICKER(1)
	501J	LY42979-001A		STICKER(2)
	502	LY32015-001C		MONITOR CASE ASSY
	502A	LY42801-001B		SHEET(EARTH.1)
	502B	LY42971-001A		SHEET(EARTH3)

#	▲	REF No.	PART No.	PART NAME, DESCRIPTION
	502C	LY30029-0F1A		SPACER(A)
	502D	LY30029-0F2A		SPACER(A)
	503	QLD0115-003		LCD MODULE
	504	QLL0091-001		BACK LIGHT
	505	LY32016-001A		BRACKET(MONITOR CASE)
	506	LY30029-0C4A		SPACER(A)
	507	LY32017-001C		HINGE ASSY
	508	LY32018-001A		HINGE COVER(U)
	509	LY32019-001A		HINGE COVER(L)
	510	LY42355-001A		MAGNET
	511	LY30018-053A		SPECIAL SCREW
	512	LY30018-0A2A		SPECIAL SCREW,X2
	513	LY30018-053A		SPECIAL SCREW,X2
	514	LY30018-028A		SPECIAL SCREW,X2
	515	LY42843-001C		MONITOR SHIELD PLATE
	516	LY41726-001A		PLATE(EARTH)
	517	LY20681-001A		FPC ASSY(LCD)

5.6 ELECTRICAL PARTS LIST

#	△ REF No.	PART No.	PART NAME, DESCRIPTION

MAIN BOARD ASSEMBLY <01>			
PW		YB10301B-03	MAIN BOARD ASSY
IC1001		YQ44899A	CSP IC ASSY
IC1002		RS5C314	IC
IC1003		X25330S8I-2.5-X	IC
		or 25LC320-I/SN-X	IC
		or AT25320N-10SI-X	IC
IC1004		TC7W08FU	IC(DIGITAL)
IC1005		TC7W66FU	IC(DIGITAL)
IC1006		TC7W53FU	IC(DIGITAL)
		or SN74AHC2G53T	IC
IC1007		MB90097PFV139	IC(MICRO C ROM)
IC1008		TC74VHC08FT	IC(DIGITAL)
IC1201		BA6417F	IC
IC1301		TC7SH32FU	IC(DIGITAL)
IC1302		TC7S02FU	IC(DIGITAL)
IC1401		YQ44896A	CSP IC ASSY
IC1403		TC7W53FU	IC(DIGITAL)
		or SN74AHC2G53T	IC
IC3001		JCY0133	IC
IC3002		JCY0136	IC
IC3302		TLC2940IPW	IC
IC3701		NJM2538V	IC
IC3702		MM1385HN	IC
IC3901		JCP8029	IC
IC3903		SN74AHC1G04K	IC
		or TC7S04FU	IC(DIGITAL)
IC3951		MM1504XN	IC
IC4201		HD49325BHF	IC
IC4202		RH5RZ31CA	IC
IC4301		YQ44871A	CSP ASSY
IC4302		MM1385NN	IC
IC4401		BU2501FV	IC
IC4802		TA75W01FU	IC
IC4803		TA75W01FU	IC
IC4804		NJM3414AV	IC
IC4805		MM6564XFBE	IC
IC4806		TC7W00FK	IC
IC4807		TC7W66FK	IC
IC4808		TC7S66FU	IC(DIGITAL)
IC4851		UPD16879GS	IC
IC4901		TA75W01FU	IC
IC4902		TA75W01FU	IC
IC4903		MM6564XFBE	IC
IC4904		NJM3414AV	IC
IC5001		JCY0138	IC
IC5002		MM1385DN	IC
IC5004		W194-70G-X	IC
IC6001		S-80842ANNP-W	IC
IC6002		S-817A33ANB-W	IC
IC6003		S-814A30AMC-W	IC
IC6004		S-80826ANNP-W	IC
Q1001		DTC143EE	TRANSISTOR
		or RN1101	TRANSISTOR
		or UN921LJ	TRANSISTOR
Q1002		2SC4617/QR/-X	TRANSISTOR
Q1003		DTC124EE	TRANSISTOR
		or RN1103	TRANSISTOR
		or UN9212J	TRANSISTOR
Q1301		2SC4617/RS/-X	TRANSISTOR

#	△ REF No.	PART No.	PART NAME, DESCRIPTION
		Q1401	DTA114EE
			TRANSISTOR
			or RN2102
			TRANSISTOR
			or UN9111J
			TRANSISTOR
		Q1402	UMC3N
			TRANSISTOR
		Q1403	UMC3N
			TRANSISTOR
		Q1404	DTC144EE
			TRANSISTOR
			or RN1104
			TRANSISTOR
			or UN9213J
			TRANSISTOR
		Q2001	NDS352AP
			MOS FET
		Q2002	2SK1830
			MOS FET
		Q3701	DTC144EE
			TRANSISTOR
			or RN1104
			TRANSISTOR
			or UN9213J
			TRANSISTOR
		Q3702	2SC4617/RS/-X
			TRANSISTOR
		Q3951	UMZ1N
			PAIR TRANSISTOR
		Q3952	DTC144EE
			TRANSISTOR
			or RN1104
			TRANSISTOR
			or UN9213J
			TRANSISTOR
		Q3953	UMZ1N
			PAIR TRANSISTOR
		Q3954	2SC4617/RS/-X
			TRANSISTOR
		Q4351	2SA1832FT/G/-X
			TRANSISTOR
		Q4352	UMT2N
			PAIR TRANSISTOR
		Q4353	UMT2N
			PAIR TRANSISTOR
		Q4354	2SA1832FT/G/-X
			TRANSISTOR
		Q4801	2SC4655/BC/-X
			TRANSISTOR
		Q4802	2SC4617/RS/-X
			TRANSISTOR
		Q4803	DTC144EE
			TRANSISTOR
			or RN1104
			TRANSISTOR
			or UN9213J
			TRANSISTOR
		Q4804	DTA144EE
			TRANSISTOR
			or RN2104
			TRANSISTOR
			or UN9113J
			TRANSISTOR
		Q4851	2SC4617/RS/-X
			TRANSISTOR
		Q4901	2SC4655/BC/-X
			TRANSISTOR
		Q6001	CPH3304
			MOS FET
		Q6002	2SK3019
			MOS FET
			or 2SK1830
			MOS FET
		Q6003	2SJ347
			MOS FET
		Q6004	2SK3019
			MOS FET
			or 2SK1830
			MOS FET
		Q6005	DTC144EE
			TRANSISTOR
			or RN1104
			TRANSISTOR
			or UN9213J
			TRANSISTOR
		Q6006	CPH3304
			MOS FET
		Q6007	RN47A3
			TRANSISTOR
		D1002	DA221
			DIODE
		D1201	DAP222
			DIODE
		D1301	RB715F
			SB DIODE
		D2001	EMZ6.8N
			ZENER DIODE
		D2002	EMZ6.8N
			ZENER DIODE
		D2003	EMZ6.8N
			ZENER DIODE
		D2004	EMZ6.8N
			ZENER DIODE
		D2005	SBS006
			SB DIODE
		D3002	EC2C01C
			VARI CAP DIODE
		D3301	EC2C01C
			VARI CAP DIODE
		D3302	EC2C01C
			VARI CAP DIODE
		D4101	1SS355
			DIODE
		D4801	DAN222
			DIODE
		D4802	DAN222
			DIODE
		D4803	DAN222
			DIODE
		△ D6001	RB706D-40-X
			SB DIODE
		D6002	RB715F
			SB DIODE

#	△	REF No.	PART No.	PART NAME, DESCRIPTION	#	△	REF No.	PART No.	PART NAME, DESCRIPTION	
R1001			NRSA6AJ-0R0W	MG RESISTOR	0Ω, 1/16W	R1076		NRSA6AJ-102W	MG RESISTOR	1kΩ, 1/16W
R1002			NRSA6AJ-473W	MG RESISTOR	47kΩ, 1/16W	R1077		NRSA6AJ-102W	MG RESISTOR	1kΩ, 1/16W
R1003			NRSA6AJ-102W	MG RESISTOR	1kΩ, 1/16W	R1078		NRSA6AJ-0R0W	MG RESISTOR	0Ω, 1/16W
R1004			NRSA6AJ-473W	MG RESISTOR	47kΩ, 1/16W	R1079		NRSA6AJ-103W	MG RESISTOR	10kΩ, 1/16W
R1005			NRSA6AJ-473W	MG RESISTOR	47kΩ, 1/16W	R1080		NRSA6AJ-104W	MG RESISTOR	100kΩ, 1/16W
R1006			NRSA6AJ-104W	MG RESISTOR	100kΩ, 1/16W	R1081		NRSA6AJ-223W	MG RESISTOR	22kΩ, 1/16W
R1007			NRSA6AJ-472W	MG RESISTOR	4.7kΩ, 1/16W	R1082		NRSA6AJ-393W	MG RESISTOR	39kΩ, 1/16W
R1008			NRSA6AJ-103W	MG RESISTOR	10kΩ, 1/16W	R1083		NRSA6AJ-104W	MG RESISTOR	100kΩ, 1/16W
R1009			NRSA6AJ-224W	MG RESISTOR	220kΩ, 1/16W	R1084		NRSA6AJ-103W	MG RESISTOR	10kΩ, 1/16W
R1010			NRSA6AJ-334W	MG RESISTOR	330kΩ, 1/16W	R1085		NRSA6AJ-822W	MG RESISTOR	8.2kΩ, 1/16W
R1011			NRSA6AJ-473W	MG RESISTOR	47kΩ, 1/16W	R1086		NRSA6AJ-123W	MG RESISTOR	12kΩ, 1/16W
R1012			NRSA6AJ-102W	MG RESISTOR	1kΩ, 1/16W	R1087		NRSA6AJ-473W	MG RESISTOR	47kΩ, 1/16W
R1013			NRSA6AJ-0R0W	MG RESISTOR	0Ω, 1/16W	R1088		NRSA6AJ-473W	MG RESISTOR	47kΩ, 1/16W
R1014			NRSA6AJ-473W	MG RESISTOR	47kΩ, 1/16W	R1089		NRSA6AJ-473W	MG RESISTOR	47kΩ, 1/16W
R1015			NRSA6AJ-473W	MG RESISTOR	47kΩ, 1/16W	R1090		NRSA6AJ-473W	MG RESISTOR	47kΩ, 1/16W
R1016			NRSA6AJ-473W	MG RESISTOR	47kΩ, 1/16W	R1091		NRSA6AJ-102W	MG RESISTOR	1kΩ, 1/16W
R1017			NRSA6AJ-102W	MG RESISTOR	1kΩ, 1/16W	R1092		NRSA6AJ-222W	MG RESISTOR	2.2kΩ, 1/16W
R1018			NRSA6AJ-102W	MG RESISTOR	1kΩ, 1/16W	R1093		NRSA6AJ-0R0W	MG RESISTOR	0Ω, 1/16W
R1019			NRSA6AJ-104W	MG RESISTOR	100kΩ, 1/16W	R1094		NRSA6AJ-154W	MG RESISTOR	150kΩ, 1/16W
R1020			NRSA6AJ-102W	MG RESISTOR	1kΩ, 1/16W	R1095		NRSA6AJ-272W	MG RESISTOR	2.7kΩ, 1/16W
R1021			NRSA6AJ-102W	MG RESISTOR	1kΩ, 1/16W	R1096		NRSA6AJ-183W	MG RESISTOR	18kΩ, 1/16W
R1023			NRSA6AJ-104W	MG RESISTOR	100kΩ, 1/16W	R1097		NRSA6AJ-473W	MG RESISTOR	47kΩ, 1/16W
R1024			NRSA6AJ-102W	MG RESISTOR	1kΩ, 1/16W	R1098		NRSA6AJ-103W	MG RESISTOR	10kΩ, 1/16W
R1025			NRSA6AJ-104W	MG RESISTOR	100kΩ, 1/16W	R1099		NRSA6AJ-472W	MG RESISTOR	4.7kΩ, 1/16W
R1026			NRSA6AJ-103W	MG RESISTOR	10kΩ, 1/16W	R1100		NRSA6AJ-0R0W	MG RESISTOR	0Ω, 1/16W
R1027			NRSA6AJ-102W	MG RESISTOR	1kΩ, 1/16W	R1102		NRSA6AJ-0R0W	MG RESISTOR	0Ω, 1/16W
R1028			NRSA6AJ-102W	MG RESISTOR	1kΩ, 1/16W	R1103		NRSA6AJ-0R0W	MG RESISTOR	0Ω, 1/16W
R1029			NRSA6AJ-473W	MG RESISTOR	47kΩ, 1/16W	R1105		NRSA6AJ-103W	MG RESISTOR	10kΩ, 1/16W
R1030			NRSA6AJ-472W	MG RESISTOR	4.7kΩ, 1/16W	R1110		NRSA6AJ-473W	MG RESISTOR	47kΩ, 1/16W
R1031			NRSA6AJ-0R0W	MG RESISTOR	0Ω, 1/16W	R1111		NRSA6AJ-473W	MG RESISTOR	47kΩ, 1/16W
R1032			NRSA6AJ-0R0W	MG RESISTOR	0Ω, 1/16W	R1112		NRSA6AJ-473W	MG RESISTOR	47kΩ, 1/16W
R1033			NRSA6AJ-103W	MG RESISTOR	10kΩ, 1/16W	R1113		NRSA6AJ-102W	MG RESISTOR	1kΩ, 1/16W
R1034			NRSA6AJ-153W	MG RESISTOR	15kΩ, 1/16W	R1114		NRSA6AJ-102W	MG RESISTOR	1kΩ, 1/16W
R1035			NRSA6AJ-474W	MG RESISTOR	470kΩ, 1/16W	R1115		NRSA6AJ-102W	MG RESISTOR	1kΩ, 1/16W
R1036			NRSA6AJ-474W	MG RESISTOR	470kΩ, 1/16W	R1116		NRSA6AJ-103W	MG RESISTOR	10kΩ, 1/16W
R1037			NRSA6AJ-474W	MG RESISTOR	470kΩ, 1/16W	R1117		NRSA6AJ-0R0W	MG RESISTOR	0Ω, 1/16W
R1038			NRSA6AJ-102W	MG RESISTOR	1kΩ, 1/16W	R1201		NRSA6AJ-103W	MG RESISTOR	10kΩ, 1/16W
R1040			NRSA6AJ-0R0W	MG RESISTOR	0Ω, 1/16W	R1202		NRSA6AJ-153W	MG RESISTOR	15kΩ, 1/16W
R1041			NRSA6AJ-103W	MG RESISTOR	10kΩ, 1/16W	R1301		NRSA6AJ-103W	MG RESISTOR	10kΩ, 1/16W
R1042			NRSA6AJ-102W	MG RESISTOR	1kΩ, 1/16W	R1303		NRSA6AJ-472W	MG RESISTOR	4.7kΩ, 1/16W
R1043			NRSA6AJ-103W	MG RESISTOR	10kΩ, 1/16W	R1401		NRSA6AJ-102W	MG RESISTOR	1kΩ, 1/16W
R1044			NRSA6AJ-103W	MG RESISTOR	10kΩ, 1/16W	R1402		NRSA6AJ-222W	MG RESISTOR	2.2kΩ, 1/16W
R1045			NRSA6AJ-0R0W	MG RESISTOR	0Ω, 1/16W	R1403		NRSA6AJ-222W	MG RESISTOR	2.2kΩ, 1/16W
R1046			NRSA6AJ-473W	MG RESISTOR	47kΩ, 1/16W	R1404		NRSA6AJ-0R0W	MG RESISTOR	0Ω, 1/16W
R1047			NRSA6AJ-473W	MG RESISTOR	47kΩ, 1/16W	R1408		NRSA6AJ-472W	MG RESISTOR	4.7kΩ, 1/16W
R1048			NRSA6AJ-103W	MG RESISTOR	10kΩ, 1/16W	R1409		NRSA6AJ-331W	MG RESISTOR	330Ω, 1/16W
R1049			NRSA6AJ-0R0W	MG RESISTOR	0Ω, 1/16W	R1410		NRSA6AJ-331W	MG RESISTOR	330Ω, 1/16W
R1050			NRSA6AJ-222W	MG RESISTOR	2.2kΩ, 1/16W	R1411		NRSA6AJ-473W	MG RESISTOR	47kΩ, 1/16W
R1051			NRSA6AJ-222W	MG RESISTOR	2.2kΩ, 1/16W	R1412		NRSA6AJ-331W	MG RESISTOR	330Ω, 1/16W
R1053			NRSA6AJ-331W	MG RESISTOR	330Ω, 1/16W	R1414		NRSA6AJ-102W	MG RESISTOR	1kΩ, 1/16W
R1054			NRSA6AJ-473W	MG RESISTOR	47kΩ, 1/16W	R1415		NRSA6AJ-102W	MG RESISTOR	1kΩ, 1/16W
R1055			NRSA6AJ-331W	MG RESISTOR	330Ω, 1/16W	R1416		NRSA6AJ-102W	MG RESISTOR	1kΩ, 1/16W
R1056			NRSA6AJ-331W	MG RESISTOR	330Ω, 1/16W	R1417		NRSA6AJ-102W	MG RESISTOR	1kΩ, 1/16W
R1066			NRSA6AJ-0R0W	MG RESISTOR	0Ω, 1/16W	R1418		NRSA6AJ-221W	MG RESISTOR	220Ω, 1/16W
R1067			NRSA6AJ-0R0W	MG RESISTOR	0Ω, 1/16W	R1419		NRSA6AJ-221W	MG RESISTOR	220Ω, 1/16W
R1068			NRSA6AJ-0R0W	MG RESISTOR	0Ω, 1/16W	R1420		NRSA6AJ-473W	MG RESISTOR	47kΩ, 1/16W
R1069			NRSA6AJ-0R0W	MG RESISTOR	0Ω, 1/16W	R1422		NRSA6AJ-332W	MG RESISTOR	3.3kΩ, 1/16W
R1070			NRSA6AJ-0R0W	MG RESISTOR	0Ω, 1/16W	R1423		NRSA6AJ-332W	MG RESISTOR	3.3kΩ, 1/16W
R1071			NRSA6AJ-0R0W	MG RESISTOR	0Ω, 1/16W	R1424		NRSA6AJ-332W	MG RESISTOR	3.3kΩ, 1/16W
R1072			NRSA6AJ-101W	MG RESISTOR	100Ω, 1/16W	R1425		NRVA6AD-753W	CMF RESISTOR	75kΩ, 1/16W
R1073			NRSA6AJ-101W	MG RESISTOR	100Ω, 1/16W	R1426		NRSA6AJ-334W	MG RESISTOR	330kΩ, 1/16W
R1074			NRSA6AJ-0R0W	MG RESISTOR	0Ω, 1/16W	R1429		NRSA6AJ-102W	MG RESISTOR	1kΩ, 1/16W
R1075			NRSA6AJ-102W	MG RESISTOR	1kΩ, 1/16W	R1430		NRSA6AJ-102W	MG RESISTOR	1kΩ, 1/16W

#	△ REF No.	PART No.	PART NAME, DESCRIPTION	#	△ REF No.	PART No.	PART NAME, DESCRIPTION
R1437		NRSA6AJ-0R0W	MG RESISTOR 0Ω,1/16W	R3311		NRVA6AD-222W	CMF RESISTOR 2.2kΩ,1/16W
R1438		NRSA6AJ-0R0W	MG RESISTOR 0Ω,1/16W	R3313		NRSA6AJ-105W	MG RESISTOR 1MΩ,1/16W
R1439		NRSA6AJ-332W	MG RESISTOR 3.3kΩ,1/16W	R3314		NRSA6AJ-101W	MG RESISTOR 100Ω,1/16W
R1440		NRSA6AJ-332W	MG RESISTOR 3.3kΩ,1/16W	R3315		NRSA6AJ-0R0W	MG RESISTOR 0Ω,1/16W
R1441		NRSA6AJ-332W	MG RESISTOR 3.3kΩ,1/16W	R3318		NRSA6AJ-224W	MG RESISTOR 220kΩ,1/16W
R1442		NRSA6AJ-332W	MG RESISTOR 3.3kΩ,1/16W	R3319		NRSA6AJ-224W	MG RESISTOR 220kΩ,1/16W
R1443		NRSA6AJ-102W	MG RESISTOR 1kΩ,1/16W	R3331		NRSA6AJ-103W	MG RESISTOR 10kΩ,1/16W
R1444		NRSA6AJ-102W	MG RESISTOR 1kΩ,1/16W	R3332		NRSA6AJ-0R0W	MG RESISTOR 0Ω,1/16W
R1445		NRSA6AJ-101W	MG RESISTOR 100Ω,1/16W	R3333		NRSA6AJ-0R0W	MG RESISTOR 0Ω,1/16W
R2001		NRSA6AJ-104W	MG RESISTOR 100kΩ,1/16W	R3334		NRSA6AJ-0R0W	MG RESISTOR 0Ω,1/16W
R2002		NRSA6AJ-0R0W	MG RESISTOR 0Ω,1/16W	R3335		NRSA6AJ-0R0W	MG RESISTOR 0Ω,1/16W
R2003		NRSA6AJ-0R0W	MG RESISTOR 0Ω,1/16W	R3336		NRSA6AJ-0R0W	MG RESISTOR 0Ω,1/16W
R2005		NRSA6AJ-0R0W	MG RESISTOR 0Ω,1/16W	R3337		NRSA6AJ-0R0W	MG RESISTOR 0Ω,1/16W
R2007		NRSA6AJ-0R0W	MG RESISTOR 0Ω,1/16W	R3338		NRSA6AJ-220W	MG RESISTOR 22Ω,1/16W
R2008		NRSA6AJ-0R0W	MG RESISTOR 0Ω,1/16W	R3339		NRSA6AJ-0R0W	MG RESISTOR 0Ω,1/16W
R2009		NRSA6AJ-103W	MG RESISTOR 10kΩ,1/16W	R3340		NRSA6AJ-0R0W	MG RESISTOR 0Ω,1/16W
R2010		NRSA6AJ-103W	MG RESISTOR 10kΩ,1/16W	R3341		NRSA6AJ-0R0W	MG RESISTOR 0Ω,1/16W
R2011		NRSA6AJ-103W	MG RESISTOR 10kΩ,1/16W	R3701		NRSA6AJ-225W	MG RESISTOR 2.2MΩ,1/16W
R2012		NRSA6AJ-0R0W	MG RESISTOR 0Ω,1/16W	R3702		NRSA6AJ-103W	MG RESISTOR 10kΩ,1/16W
R2013		NRSA6AJ-103W	MG RESISTOR 10kΩ,1/16W	R3703		NRSA6AJ-203W	MG RESISTOR 20kΩ,1/16W
R2014		NRSA6AJ-102W	MG RESISTOR 1kΩ,1/16W	R3704		NRSA6AJ-103W	MG RESISTOR 10kΩ,1/16W
R2015		NRSA63J-0R0X	MG RESISTOR 0Ω,1/16W	R3706		NRSA6AJ-121W	MG RESISTOR 120Ω,1/16W
R2017		NRSA6AJ-103W	MG RESISTOR 10kΩ,1/16W	R3707		NRSA6AJ-121W	MG RESISTOR 120Ω,1/16W
R2018		NRSA6AJ-103W	MG RESISTOR 10kΩ,1/16W	R3708		NRSA6AJ-103W	MG RESISTOR 10kΩ,1/16W
R2019		NRSA6AJ-103W	MG RESISTOR 10kΩ,1/16W	R3709		NRSA6AJ-224W	MG RESISTOR 220kΩ,1/16W
R2020		NRSA6AJ-103W	MG RESISTOR 10kΩ,1/16W	R3710		NRSA6AJ-103W	MG RESISTOR 10kΩ,1/16W
R3001		NRSA6AJ-151W	MG RESISTOR 150Ω,1/16W	R3712		NRSA6AJ-680W	MG RESISTOR 68Ω,1/16W
R3002		NRSA6AJ-272W	MG RESISTOR 2.7kΩ,1/16W	R3713		NRSA6AJ-680W	MG RESISTOR 68Ω,1/16W
R3003		NRSA6AJ-151W	MG RESISTOR 150Ω,1/16W	R3714		NRSA6AJ-101W	MG RESISTOR 100Ω,1/16W
R3004		NRSA6AJ-562W	MG RESISTOR 5.6kΩ,1/16W	R3715		NRSA6AJ-472W	MG RESISTOR 4.7kΩ,1/16W
R3005		NRSA6AJ-222W	MG RESISTOR 2.2kΩ,1/16W	R3716		NRSA6AJ-472W	MG RESISTOR 4.7kΩ,1/16W
R3006		NRSA6AJ-222W	MG RESISTOR 2.2kΩ,1/16W	R3901		NRVA6AD-821W	CMF RESISTOR 820Ω,1/16W
R3007		NRSA6AJ-224W	MG RESISTOR 220kΩ,1/16W	R3902		NRVA6AD-273W	CMF RESISTOR 27kΩ,1/16W
R3008		NRSA6AJ-103W	MG RESISTOR 10kΩ,1/16W	R3903		NRVA6AD-153W	CMF RESISTOR 15kΩ,1/16W
R3009		NRSA6AJ-103W	MG RESISTOR 10kΩ,1/16W	R3904		NRVA6AD-821W	CMF RESISTOR 820Ω,1/16W
R3015		NRSA6AJ-242W	MG RESISTOR 2.4kΩ,1/16W	R3951		NRVA6AD-561W	CMF RESISTOR 560Ω,1/16W
R3016		NRSA6AJ-392W	MG RESISTOR 3.9kΩ,1/16W	R3953		NRVA6AD-152W	CMF RESISTOR 1.5kΩ,1/16W
R3017		NRSA6AJ-392W	MG RESISTOR 3.9kΩ,1/16W	R3954		NRSA6AJ-222W	MG RESISTOR 2.2kΩ,1/16W
R3018		NRVA6AD-560W	CMF RESISTOR 56Ω,1/16W	R3955		NRSA6AJ-102W	MG RESISTOR 1kΩ,1/16W
R3019		NRVA6AD-560W	CMF RESISTOR 56Ω,1/16W	R3956		NRSA6AJ-474W	MG RESISTOR 470kΩ,1/16W
R3020		NRVA6AD-560W	CMF RESISTOR 56Ω,1/16W	R3961		NRVA6AD-561W	CMF RESISTOR 560Ω,1/16W
R3021		NRVA6AD-560W	CMF RESISTOR 56Ω,1/16W	R3962		NRSA6AJ-822W	MG RESISTOR 8.2kΩ,1/16W
R3022		NRVA6AD-512W	CMF RESISTOR 5.1kΩ,1/16W	R3963		NRVA6AD-182W	CMF RESISTOR 1.8kΩ,1/16W
R3023		NRSA6AJ-103W	MG RESISTOR 10kΩ,1/16W	R3964		NRSA6AJ-183W	MG RESISTOR 18kΩ,1/16W
R3024		NRSA6AJ-105W	MG RESISTOR 1MΩ,1/16W	R3965		NRSA6AJ-183W	MG RESISTOR 18kΩ,1/16W
R3025		NRSA6AJ-222W	MG RESISTOR 2.2kΩ,1/16W	R3966		NRSA6AJ-681W	MG RESISTOR 680Ω,1/16W
R3026		NRSA6AJ-102W	MG RESISTOR 1kΩ,1/16W	R3967		NRSA6AJ-821W	MG RESISTOR 820Ω,1/16W
R3027		NRSA6AJ-102W	MG RESISTOR 1kΩ,1/16W	R3968		NRSA6AJ-821W	MG RESISTOR 820Ω,1/16W
R3029		NRSA6AJ-561W	MG RESISTOR 560Ω,1/16W	R3969		NRSA6AJ-102W	MG RESISTOR 1kΩ,1/16W
R3030		NRSA6AJ-392W	MG RESISTOR 3.9kΩ,1/16W	R4101		NRSA6AJ-104W	MG RESISTOR 100kΩ,1/16W
R3034		NRSA6AJ-0R0W	MG RESISTOR 0Ω,1/16W	R4203		NRSA6AJ-220W	MG RESISTOR 22Ω,1/16W
R3044		NRSA6AJ-0R0W	MG RESISTOR 0Ω,1/16W	R4204		NRSA6AJ-223W	MG RESISTOR 22kΩ,1/16W
R3051		NRSA6AJ-0R0W	MG RESISTOR 0Ω,1/16W	R4211		NRSA6AJ-221W	MG RESISTOR 220Ω,1/16W
R3052		NRSA6AJ-0R0W	MG RESISTOR 0Ω,1/16W	R4212		NRSA6AJ-221W	MG RESISTOR 220Ω,1/16W
R3053		NRSA6AJ-0R0W	MG RESISTOR 0Ω,1/16W	R4213		NRSA6AJ-221W	MG RESISTOR 220Ω,1/16W
R3054		NRSA6AJ-0R0W	MG RESISTOR 0Ω,1/16W	R4214		NRSA6AJ-221W	MG RESISTOR 220Ω,1/16W
R3055		NRSA6AJ-0R0W	MG RESISTOR 0Ω,1/16W	R4215		NRSA6AJ-221W	MG RESISTOR 220Ω,1/16W
R3059		NRSA6AJ-103W	MG RESISTOR 10kΩ,1/16W	R4216		NRSA6AJ-221W	MG RESISTOR 220Ω,1/16W
R3060		NRSA6AJ-272W	MG RESISTOR 2.7kΩ,1/16W	R4217		NRSA6AJ-221W	MG RESISTOR 220Ω,1/16W
R3061		NRSA6AJ-103W	MG RESISTOR 10kΩ,1/16W	R4218		NRSA6AJ-221W	MG RESISTOR 220Ω,1/16W
R3062		NRSA6AJ-103W	MG RESISTOR 10kΩ,1/16W	R4219		NRSA6AJ-221W	MG RESISTOR 220Ω,1/16W
R3063		NRSA6AJ-103W	MG RESISTOR 10kΩ,1/16W	R4220		NRSA6AJ-221W	MG RESISTOR 220Ω,1/16W
R3064		NRSA6AJ-103W	MG RESISTOR 10kΩ,1/16W	R4302		NRSA6AJ-330W	MG RESISTOR 33Ω,1/16W

# ▲ REF No.	PART No.	PART NAME, DESCRIPTION		# ▲ REF No.	PART No.	PART NAME, DESCRIPTION	
R4303	NRSA6AJ-101W	MG RESISTOR	100Ω,1/16W	R4811	NRSA6AJ-684W	MG RESISTOR	680kΩ,1/16W
R4304	NRSA6AJ-101W	MG RESISTOR	100Ω,1/16W	R4812	NRSA6AJ-153W	MG RESISTOR	15kΩ,1/16W
R4305	NRSA6AJ-101W	MG RESISTOR	100Ω,1/16W	R4814	NRSA6AJ-105W	MG RESISTOR	1MΩ,1/16W
R4306	NRSA6AJ-101W	MG RESISTOR	100Ω,1/16W	R4815	NRSA6AJ-472W	MG RESISTOR	4.7kΩ,1/16W
R4307	NRSA6AJ-220W	MG RESISTOR	22Ω,1/16W	R4816	NRSA6AJ-185W	MG RESISTOR	1.8MΩ,1/16W
R4308	NRSA6AJ-220W	MG RESISTOR	22Ω,1/16W	R4819	NRSA6AJ-103W	MG RESISTOR	10kΩ,1/16W
R4313	NRSA6AJ-0R0W	MG RESISTOR	0Ω,1/16W	R4820	NRSA6AJ-104W	MG RESISTOR	100kΩ,1/16W
R4314	NRSA6AJ-0R0W	MG RESISTOR	0Ω,1/16W	R4821	NRSA6AJ-104W	MG RESISTOR	100kΩ,1/16W
R4315	NRSA6AJ-0R0W	MG RESISTOR	0Ω,1/16W	R4822	NRSA6AJ-333W	MG RESISTOR	33kΩ,1/16W
R4316	NRSA6AJ-0R0W	MG RESISTOR	0Ω,1/16W	R4823	NRSA6AJ-102W	MG RESISTOR	1kΩ,1/16W
R4317	NRSA6AJ-0R0W	MG RESISTOR	0Ω,1/16W	R4824	NRSA6AJ-472W	MG RESISTOR	4.7kΩ,1/16W
R4318	NRSA6AJ-101W	MG RESISTOR	100Ω,1/16W	R4825	NRSA6AJ-183W	MG RESISTOR	18kΩ,1/16W
R4320	NRSA6AJ-220W	MG RESISTOR	22Ω,1/16W	R4826	NRSA6AJ-333W	MG RESISTOR	33kΩ,1/16W
R4321	NRSA6AJ-220W	MG RESISTOR	22Ω,1/16W	R4828	NRSA6AJ-122W	MG RESISTOR	1.2kΩ,1/16W
R4322	NRSA6AJ-333W	MG RESISTOR	33kΩ,1/16W	R4829	NRSA6AJ-0R0W	MG RESISTOR	0Ω,1/16W
R4323	NRSA6AJ-333W	MG RESISTOR	33kΩ,1/16W	R4831	NRSA6AJ-472W	MG RESISTOR	4.7kΩ,1/16W
R4328	NRSA6AJ-220W	MG RESISTOR	22Ω,1/16W	R4832	NRSA6AJ-103W	MG RESISTOR	10kΩ,1/16W
R4329	NRSA6AJ-220W	MG RESISTOR	22Ω,1/16W	R4833	NRSA6AJ-104W	MG RESISTOR	100kΩ,1/16W
R4330	NRSA6AJ-470W	MG RESISTOR	47Ω,1/16W	R4834	NRSA6AJ-103W	MG RESISTOR	10kΩ,1/16W
R4331	NRSA6AJ-220W	MG RESISTOR	22Ω,1/16W	R4835	NRSA6AJ-103W	MG RESISTOR	10kΩ,1/16W
R4332	NRSA6AJ-220W	MG RESISTOR	22Ω,1/16W	R4836	NRSA6AJ-151W	MG RESISTOR	150Ω,1/16W
R4333	NRSA6AJ-220W	MG RESISTOR	22Ω,1/16W	R4837	NRSA6AJ-102W	MG RESISTOR	1kΩ,1/16W
R4334	NRSA6AJ-220W	MG RESISTOR	22Ω,1/16W	R4838	NRSA6AJ-470W	MG RESISTOR	47Ω,1/16W
R4335	NRSA6AJ-220W	MG RESISTOR	22Ω,1/16W	R4839	NRSA6AJ-0R0W	MG RESISTOR	0Ω,1/16W
R4337	NRSA6AJ-152W	MG RESISTOR	1.5kΩ,1/16W	R4840	NRSA6AJ-0R0W	MG RESISTOR	0Ω,1/16W
R4342	NRSA6AJ-220W	MG RESISTOR	22Ω,1/16W	R4841	NRSA6AJ-564W	MG RESISTOR	560kΩ,1/16W
R4343	NRSA6AJ-220W	MG RESISTOR	22Ω,1/16W	R4844	NRSA6AJ-0R0W	MG RESISTOR	0Ω,1/16W
R4344	NRSA6AJ-220W	MG RESISTOR	22Ω,1/16W	R4846	NRSA6AJ-0R0W	MG RESISTOR	0Ω,1/16W
R4345	NRSA6AJ-220W	MG RESISTOR	22Ω,1/16W	R4854	NRSA6AJ-0R0W	MG RESISTOR	0Ω,1/16W
R4346	NRSA6AJ-220W	MG RESISTOR	22Ω,1/16W	R4856	NRSA6AJ-6R8W	MG RESISTOR	6.8Ω,1/16W
R4347	NRSA6AJ-220W	MG RESISTOR	22Ω,1/16W	R4857	NRSA6AJ-6R8W	MG RESISTOR	6.8Ω,1/16W
R4348	NRSA6AJ-220W	MG RESISTOR	22Ω,1/16W	R4858	NRSA6AJ-333W	MG RESISTOR	33kΩ,1/16W
R4349	NRSA6AJ-220W	MG RESISTOR	22Ω,1/16W	R4859	NRSA6AJ-0R0W	MG RESISTOR	0Ω,1/16W
R4356	NRVA6AD-272W	CMF RESISTOR	2.7kΩ,1/16W	R4860	NRSA6AJ-0R0W	MG RESISTOR	0Ω,1/16W
R4358	NRVA6AD-272W	CMF RESISTOR	2.7kΩ,1/16W	R4862	NRSA6AJ-6R8W	MG RESISTOR	6.8Ω,1/16W
R4360	NRVA6AD-272W	CMF RESISTOR	2.7kΩ,1/16W	R4863	NRSA6AJ-6R8W	MG RESISTOR	6.8Ω,1/16W
R4362	NRVA6AD-272W	CMF RESISTOR	2.7kΩ,1/16W	R4864	NRSA6AJ-102W	MG RESISTOR	1kΩ,1/16W
R4363	NRSA6AJ-153W	MG RESISTOR	15kΩ,1/16W	R4865	NRSA6AJ-102W	MG RESISTOR	1kΩ,1/16W
R4364	NRSA6AJ-103W	MG RESISTOR	10kΩ,1/16W	R4866	NRSA6AJ-102W	MG RESISTOR	1kΩ,1/16W
R4365	NRSA6AJ-0R0W	MG RESISTOR	0Ω,1/16W	R4867	NRSA6AJ-102W	MG RESISTOR	1kΩ,1/16W
R4367	NRSA6AJ-102W	MG RESISTOR	1kΩ,1/16W	R4868	NRSA6AJ-0R0W	MG RESISTOR	0Ω,1/16W
R4369	NRVA6AD-201W	CMF RESISTOR	200Ω,1/16W	R4870	NRSA6AJ-271W	MG RESISTOR	270Ω,1/16W
R4370	NRSA6AJ-102W	MG RESISTOR	1kΩ,1/16W	R4871	NRSA6AJ-0R0W	MG RESISTOR	0Ω,1/16W
R4371	NRVA6AD-201W	CMF RESISTOR	200Ω,1/16W	R4874	NRSA6AJ-0R0W	MG RESISTOR	0Ω,1/16W
R4372	NRSA6AJ-222W	MG RESISTOR	2.2kΩ,1/16W	R4901	NRSA6AJ-103W	MG RESISTOR	10kΩ,1/16W
R4373	NRSA6AJ-222W	MG RESISTOR	2.2kΩ,1/16W	R4902	NRSA6AJ-683W	MG RESISTOR	68kΩ,1/16W
R4374	NRVA6AD-201W	CMF RESISTOR	200Ω,1/16W	R4903	NRSA6AJ-823W	MG RESISTOR	82kΩ,1/16W
R4375	NRVA6AD-271W	CMF RESISTOR	270Ω,1/16W	R4904	NRSA6AJ-243W	MG RESISTOR	24kΩ,1/16W
R4376	NRSA6AJ-222W	MG RESISTOR	2.2kΩ,1/16W	R4905	NRSA6AJ-103W	MG RESISTOR	10kΩ,1/16W
R4378	NRSA6AJ-222W	MG RESISTOR	2.2kΩ,1/16W	R4906	NRSA6AJ-561W	MG RESISTOR	560Ω,1/16W
R4379	NRVA6AD-333W	CMF RESISTOR	33kΩ,1/16W	R4907	NRSA6AJ-684W	MG RESISTOR	680kΩ,1/16W
R4383	NRVA6AD-271W	CMF RESISTOR	270Ω,1/16W	R4908	NRSA6AJ-153W	MG RESISTOR	15kΩ,1/16W
R4386	NRSA6AJ-0R0W	MG RESISTOR	0Ω,1/16W	R4909	NRSA6AJ-185W	MG RESISTOR	1.8MΩ,1/16W
R4387	NRSA6AJ-0R0W	MG RESISTOR	0Ω,1/16W	R4910	NRSA6AJ-105W	MG RESISTOR	1MΩ,1/16W
R4388	NRSA6AJ-0R0W	MG RESISTOR	0Ω,1/16W	R4911	NRSA6AJ-472W	MG RESISTOR	4.7kΩ,1/16W
R4389	NRSA6AJ-0R0W	MG RESISTOR	0Ω,1/16W	R4912	NRSA6AJ-103W	MG RESISTOR	10kΩ,1/16W
R4390	NRSA6AJ-103W	MG RESISTOR	10kΩ,1/16W	R4913	NRSA6AJ-104W	MG RESISTOR	100kΩ,1/16W
R4805	NRSA6AJ-103W	MG RESISTOR	10kΩ,1/16W	R4914	NRSA6AJ-104W	MG RESISTOR	100kΩ,1/16W
R4806	NRSA6AJ-823W	MG RESISTOR	82kΩ,1/16W	R4915	NRSA6AJ-472W	MG RESISTOR	4.7kΩ,1/16W
R4807	NRSA6AJ-683W	MG RESISTOR	68kΩ,1/16W	R4916	NRSA6AJ-333W	MG RESISTOR	33kΩ,1/16W
R4808	NRSA6AJ-243W	MG RESISTOR	24kΩ,1/16W	R4917	NRSA6AJ-102W	MG RESISTOR	1kΩ,1/16W
R4809	NRSA6AJ-561W	MG RESISTOR	560Ω,1/16W	R4918	NRSA6AJ-183W	MG RESISTOR	18kΩ,1/16W
R4810	NRSA6AJ-103W	MG RESISTOR	10kΩ,1/16W	R4919	NRSA6AJ-122W	MG RESISTOR	1.2kΩ,1/16W

#	△	REF No.	PART No.	PART NAME, DESCRIPTION	#	△	REF No.	PART No.	PART NAME, DESCRIPTION	
R4920			NRSA6AJ-104W	MG RESISTOR	100kΩ,1/16W	C1006		NCBA1AK-104W	CAPACITOR	0.1μF,10V
R4921			NRSA6AJ-151W	MG RESISTOR	150Ω,1/16W	C1007		NCBA1CK-103W	CAPACITOR	0.01μF,16V
R4922			NRSA6AJ-103W	MG RESISTOR	10kΩ,1/16W	C1008		NCBA1CK-103W	CAPACITOR	0.01μF,16V
R4923			NRSA6AJ-103W	MG RESISTOR	10kΩ,1/16W	C1009		NDCA1HJ-130W	CAPACITOR	13pF,50V
R4924			NRSA6AJ-564W	MG RESISTOR	560kΩ,1/16W	C1010		NCBA1CK-103W	CAPACITOR	0.01μF,16V
R4926			NRSA6AJ-333W	MG RESISTOR	33kΩ,1/16W	C1011		NCBA1AK-104W	CAPACITOR	0.1μF,10V
R5002			NRVA6AD-100W	CMF RESISTOR	10Ω,1/16W	C1012		NCBA1CK-103W	CAPACITOR	0.01μF,16V
R5003			NRVA6AD-100W	CMF RESISTOR	10Ω,1/16W	C1013		NCBA1CK-103W	CAPACITOR	0.01μF,16V
R5004			NRVA6AD-100W	CMF RESISTOR	10Ω,1/16W	C1014		NCBA1CK-103W	CAPACITOR	0.01μF,16V
R5005			NRVA6AD-100W	CMF RESISTOR	10Ω,1/16W	C1015		NCBA1CK-103W	CAPACITOR	0.01μF,16V
R5006			NRVA6AD-100W	CMF RESISTOR	10Ω,1/16W	C1016		NCBA1CK-103W	CAPACITOR	0.01μF,16V
R5007			NRVA6AD-100W	CMF RESISTOR	10Ω,1/16W	C1017		NCBA1CK-103W	CAPACITOR	0.01μF,16V
R5011			NRSA6AJ-330W	MG RESISTOR	33Ω,1/16W	C1018		NCBA1CK-103W	CAPACITOR	0.01μF,16V
R5013			NRSA6AJ-0R0W	MG RESISTOR	0Ω,1/16W	C1019		NCBA1CK-103W	CAPACITOR	0.01μF,16V
R5016			NRSA6AJ-220W	MG RESISTOR	22Ω,1/16W	C1020		NCBA1CK-103W	CAPACITOR	0.01μF,16V
R5017			NRSA6AJ-220W	MG RESISTOR	22Ω,1/16W	C1021		NCBA1AK-104W	CAPACITOR	0.1μF,10V
R5018			NRSA6AJ-0R0W	MG RESISTOR	0Ω,1/16W	C1025		NCBA1AK-104W	CAPACITOR	0.1μF,10V
R5021			NRVA6AD-101W	CMF RESISTOR	100Ω,1/16W	C1026		NCBA1CK-103W	CAPACITOR	0.01μF,16V
R5022			NRSA6AJ-0R0W	MG RESISTOR	0Ω,1/16W	C1027		NCBA1CK-103W	CAPACITOR	0.01μF,16V
R5023			NRSA6AJ-220W	MG RESISTOR	22Ω,1/16W	C1028		NCBA1CK-103W	CAPACITOR	0.01μF,16V
R5024			NRSA6AJ-220W	MG RESISTOR	22Ω,1/16W	C1029		NCBA1CK-103W	CAPACITOR	0.01μF,16V
R5025			NRSA6AJ-330W	MG RESISTOR	33Ω,1/16W	C1030		NCBA1AK-104W	CAPACITOR	0.1μF,10V
R5026			NRSA6AJ-330W	MG RESISTOR	33Ω,1/16W	C1031		NCBA1CK-103W	CAPACITOR	0.01μF,16V
R5027			NRSA6AJ-330W	MG RESISTOR	33Ω,1/16W	C1032		NCB30JK-105X	CAPACITOR	1μF,6.3V
R5028			NRSA6AJ-330W	MG RESISTOR	33Ω,1/16W	C1201		NCBA1AK-104W	CAPACITOR	0.1μF,10V
R5029			NRSA6AJ-220W	MG RESISTOR	22Ω,1/16W	C1202		NCBA1AK-104W	CAPACITOR	0.1μF,10V
R6001			NRSA6AJ-104W	MG RESISTOR	100kΩ,1/16W	C1204		NCB21AK-105X	CAPACITOR	1μF,10V
R6002			NRVA6AD-183W	CMF RESISTOR	18kΩ,1/16W	C1302		NCBA1CK-103W	CAPACITOR	0.01μF,16V
R6003			NRSA6AJ-104W	MG RESISTOR	100kΩ,1/16W	C1401		NBE90JM-106X	T CAPACITOR	10μF,6.3V
R6004			NRSA6AJ-102W	MG RESISTOR	1kΩ,1/16W	C1402		NBE90JM-106X	T CAPACITOR	10μF,6.3V
R6005			NRSA6AJ-224W	MG RESISTOR	220kΩ,1/16W	C1405		NCFA1AZ-104W	CAPACITOR	0.1μF,10V
R6006			NRSA6AJ-104W	MG RESISTOR	100kΩ,1/16W	C1406		NCFA1AZ-104W	CAPACITOR	0.1μF,10V
R6007			NRSA6AJ-104W	MG RESISTOR	100kΩ,1/16W	C1408		NCFA1AZ-104W	CAPACITOR	0.1μF,10V
R6009			NRSA6AJ-222W	MG RESISTOR	2.2kΩ,1/16W	C1409		NCFA1AZ-104W	CAPACITOR	0.1μF,10V
R6010			NRSA6AJ-104W	MG RESISTOR	100kΩ,1/16W	C1410		NCFA1AZ-104W	CAPACITOR	0.1μF,10V
R6011			NRSA6AJ-104W	MG RESISTOR	100kΩ,1/16W	C1411		NCFA1AZ-104W	CAPACITOR	0.1μF,10V
R6012			NRVA6AD-823W	CMF RESISTOR	82kΩ,1/16W	C1412		NCFA1AZ-104W	CAPACITOR	0.1μF,10V
R6013			NRVA6AD-473W	CMF RESISTOR	47kΩ,1/16W	C1413		NCFA1AZ-104W	CAPACITOR	0.1μF,10V
△ R6017			NRSA63J-102X	MG RESISTOR	1kΩ,1/16W	C1414		NCBA1CK-103W	CAPACITOR	0.01μF,16V
R6018			NRSA63J-471X	MG RESISTOR	470Ω,1/16W	C1415		NCBA1CK-103W	CAPACITOR	0.01μF,16V
RA1001			NRZ0034-102W	NETWORK RESISTOR	1kΩ	C1416		NCBA1CK-103W	CAPACITOR	0.01μF,16V
RA1002			NRZ0034-102W	NETWORK RESISTOR	1kΩ	C1417		NCBA1CK-223W	CAPACITOR	0.022μF,16V
RA1003			NRZ0034-102W	NETWORK RESISTOR	1kΩ	C1418		NCBA1CK-223W	CAPACITOR	0.022μF,16V
RA1004			NRZ0034-102W	NETWORK RESISTOR	1kΩ	C1419		NCBA1CK-223W	CAPACITOR	0.022μF,16V
RA1005			NRZ0034-102W	NETWORK RESISTOR	1kΩ	C1420		NCBA1CK-223W	CAPACITOR	0.022μF,16V
RA1006			NRZ0034-104W	NETWORK RESISTOR	100kΩ	C2003		NCBA1CK-103W	CAPACITOR	0.01μF,16V
RA1007			NRZ0034-104W	NETWORK RESISTOR	100kΩ	C2004		NCBA1CK-103W	CAPACITOR	0.01μF,16V
RA1401			NRZ0034-473W	NETWORK RESISTOR	47kΩ	C2005		NCBA1HK-102W	CAPACITOR	0.001μF,50V
RA1402			NRZ0034-102W	NETWORK RESISTOR	1kΩ	C2006		NCBA1CK-103W	CAPACITOR	0.01μF,16V
RA1403			NRZ0034-102W	NETWORK RESISTOR	1kΩ	C2007		NCBA1CK-103W	CAPACITOR	0.01μF,16V
RA4301			NRZ0034-221W	NETWORK RESISTOR	220Ω	C2008		NCBA1CK-103W	CAPACITOR	0.01μF,16V
RA4302			NRZ0034-221W	NETWORK RESISTOR	220Ω	C2009		NCBA1CK-103W	CAPACITOR	0.01μF,16V
RA4303			NRZ0034-221W	NETWORK RESISTOR	220Ω	C2010		NCBA1CK-103W	CAPACITOR	0.01μF,16V
RA4304			NRZ0034-221W	NETWORK RESISTOR	220Ω	C2011		NCBA1CK-103W	CAPACITOR	0.01μF,16V
RA4305			NRZ0034-221W	NETWORK RESISTOR	220Ω	C2012		NCBA1HK-102W	CAPACITOR	0.001μF,50V
RA4306			NRZ0034-221W	NETWORK RESISTOR	220Ω	C2013		NCBA1HK-102W	CAPACITOR	0.001μF,50V
RA4307			NRZ0034-221W	NETWORK RESISTOR	220Ω	C2014		NCBA1HK-102W	CAPACITOR	0.001μF,50V
RA4308			NRZ0034-221W	NETWORK RESISTOR	220Ω	C2015		NCBA1HK-102W	CAPACITOR	0.001μF,50V
C1001			NBE90JM-106X	T CAPACITOR	10μF,6.3V	C2016		NCBA1HK-102W	CAPACITOR	0.001μF,50V
C1002			NCBA1AK-104W	CAPACITOR	0.1μF,10V	C2017		NCBA1CK-103W	CAPACITOR	0.01μF,16V
C1003			NBE90JM-106X	T CAPACITOR	10μF,6.3V	C2018		NCBA1CK-103W	CAPACITOR	0.01μF,16V
C1004			NCBA1AK-104W	CAPACITOR	0.1μF,10V	C2019		NCBA1CK-103W	CAPACITOR	0.01μF,16V
C1005			NBE90JM-106X	T CAPACITOR	10μF,6.3V	C2020		NCBA1CK-103W	CAPACITOR	0.01μF,16V

#	△ REF No.	PART No.	PART NAME, DESCRIPTION	#	△ REF No.	PART No.	PART NAME, DESCRIPTION	
C2021		NCBA1CK-103W	CAPACITOR	0.01μF,16V	C3319	NCBA1CK-103W	CAPACITOR	0.01μF,16V
C2022		NCBA1CK-103W	CAPACITOR	0.01μF,16V	C3320	NCB21AK-105X	CAPACITOR	1μF,10V
C2023		NCBA1CK-103W	CAPACITOR	0.01μF,16V	C3325	NDCA1HJ-9R0W	CAPACITOR	9pF,50V
C2024		NCBA1CK-103W	CAPACITOR	0.01μF,16V	C3326	NDCA1HJ-9R0W	CAPACITOR	9pF,50V
C2025		NCBA1CK-103W	CAPACITOR	0.01μF,16V	C3328	NDCA1HJ-470W	CAPACITOR	47pF,50V
C2026		NCBA1CK-103W	CAPACITOR	0.01μF,16V	C3329	NCBA1HK-102W	CAPACITOR	0.001μF,50V
C2027		NCBA1CK-103W	CAPACITOR	0.01μF,16V	C3330	NCBA1AK-104W	CAPACITOR	0.1μF,10V
C2028		NCBA1CK-103W	CAPACITOR	0.01μF,16V	C3331	NCBA1HK-102W	CAPACITOR	0.001μF,50V
C2029		NCBA1CK-103W	CAPACITOR	0.01μF,16V	C3332	NDCA1HJ-390W	CAPACITOR	39pF,50V
C2030		NCBA1CK-103W	CAPACITOR	0.01μF,16V	C3701	NCBA1AK-104W	CAPACITOR	0.1μF,10V
C2031		NCBA1CK-103W	CAPACITOR	0.01μF,16V	C3702	NCBA1CK-103W	CAPACITOR	0.01μF,16V
C2032		NCBA1CK-103W	CAPACITOR	0.01μF,16V	C3703	NCBA1CK-103W	CAPACITOR	0.01μF,16V
C2033		NCBA1CK-103W	CAPACITOR	0.01μF,16V	C3704	NBE20JM-106X	T CAPACITOR	10μF,6.3V
C2034		NCBA1CK-103W	CAPACITOR	0.01μF,16V	C3707	NBE20GM-226X	T CAPACITOR	22μF,4.0V
C2035		NCB11CK-105X	CAPACITOR	1μF,16V	C3708	NBE40GM-107X	T CAPACITOR	100μF,4.0V
C2036		NCBA1CK-103W	CAPACITOR	0.01μF,16V	C3709	NCBA1CK-103W	CAPACITOR	0.01μF,16V
C2037		NCBA1CK-103W	CAPACITOR	0.01μF,16V	C3710	NCFA1AZ-104W	CAPACITOR	0.1μF,10V
C2038		NCBA1CK-103W	CAPACITOR	0.01μF,16V	C3711	NCFA1AZ-104W	CAPACITOR	0.1μF,10V
C2039		NCBA1CK-103W	CAPACITOR	0.01μF,16V	C3712	NCBA1CK-103W	CAPACITOR	0.01μF,16V
C2040		NCBA1CK-103W	CAPACITOR	0.01μF,16V	C3713	NCBA1CK-103W	CAPACITOR	0.01μF,16V
C2041		NCBA1CK-103W	CAPACITOR	0.01μF,16V	C3714	NBE20JM-106X	T CAPACITOR	10μF,6.3V
C2042		NCBA1CK-103W	CAPACITOR	0.01μF,16V	C3715	NCBA1CK-103W	CAPACITOR	0.01μF,16V
C2043		NCBA1CK-103W	CAPACITOR	0.01μF,16V	C3716	NCB30JK-105X	CAPACITOR	1μF,6.3V
C3002		NCBA1AK-104W	CAPACITOR	0.1μF,10V	C3721	NBE20JM-226X	T CAPACITOR	22μF,6.3V
C3005		NCBA1AK-104W	CAPACITOR	0.1μF,10V	C3722	NCF31AZ-105X	CAPACITOR	1μF,10V
C3006		NCBA1AK-104W	CAPACITOR	0.1μF,10V	C3723	NBE20JM-106X	T CAPACITOR	10μF,6.3V
C3008		NCBA1AK-104W	CAPACITOR	0.1μF,10V	C3724	NCBA1CK-103W	CAPACITOR	0.01μF,16V
C3009		NCBA1AK-104W	CAPACITOR	0.1μF,10V	C3901	NCBA1AK-104W	CAPACITOR	0.1μF,10V
C3010		NCBA1AK-104W	CAPACITOR	0.1μF,10V	C3902	NCBA1AK-104W	CAPACITOR	0.1μF,10V
C3012		NCBA1AK-104W	CAPACITOR	0.1μF,10V	C3903	NCBA1AK-104W	CAPACITOR	0.1μF,10V
C3014		NDCA1HJ-330W	CAPACITOR	33pF,50V	C3904	NCBA1AK-104W	CAPACITOR	0.1μF,10V
C3015		NCBA1HK-102W	CAPACITOR	0.001μF,50V	C3905	NCBA1AK-104W	CAPACITOR	0.1μF,10V
C3016		NCBA1AK-104W	CAPACITOR	0.1μF,10V	C3906	NCBA1AK-104W	CAPACITOR	0.1μF,10V
C3017		NCB30JK-105X	CAPACITOR	1μF,6.3V	C3907	NCBA1AK-104W	CAPACITOR	0.1μF,10V
C3018		NCBA1EK-472W	CAPACITOR	0.0047μF,25V	C3908	NCBA1AK-104W	CAPACITOR	0.1μF,10V
C3019		NDCA1EJ-271W	CAPACITOR	270pF,25V	C3909	NCBA1AK-104W	CAPACITOR	0.1μF,10V
C3021		NCBA1AK-104W	CAPACITOR	0.1μF,10V	C3910	NCBA1AK-104W	CAPACITOR	0.1μF,10V
C3022		NCBA1AK-104W	CAPACITOR	0.1μF,10V	C3911	NCBA1AK-104W	CAPACITOR	0.1μF,10V
C3023		NCBA1AK-104W	CAPACITOR	0.1μF,10V	C3912	NCBA1AK-104W	CAPACITOR	0.1μF,10V
C3024		NDCA1HJ-100W	CAPACITOR	10pF,50V	C3913	NCBA1AK-104W	CAPACITOR	0.1μF,10V
C3025		NDCA1HJ-100W	CAPACITOR	10pF,50V	C3914	NCBA1AK-104W	CAPACITOR	0.1μF,10V
C3026		NCBA1AK-104W	CAPACITOR	0.1μF,10V	C3916	NBE20JM-106X	T CAPACITOR	10μF,6.3V
C3027		NCBA1AK-104W	CAPACITOR	0.1μF,10V	C3917	NCBA1AK-104W	CAPACITOR	0.1μF,10V
C3028		NCBA1AK-104W	CAPACITOR	0.1μF,10V	C3919	NCB21CK-105X	CAPACITOR	1μF,16V
C3029		NCBA1AK-104W	CAPACITOR	0.1μF,10V	C3920	NCB21CK-105X	CAPACITOR	1μF,16V
C3030		NCBA1AK-104W	CAPACITOR	0.1μF,10V	C3951	NBE90JM-106X	T CAPACITOR	10μF,6.3V
C3031		NCBA1AK-104W	CAPACITOR	0.1μF,10V	C3952	NCB30JK-105X	CAPACITOR	1μF,6.3V
C3032		NDCA1HJ-151W	CAPACITOR	150pF,50V	C3954	NCBA1AK-104W	CAPACITOR	0.1μF,10V
C3034		NCBA1AK-473W	CAPACITOR	0.047μF,10V	C3955	NDCA1HJ-3R0W	CAPACITOR	3pF,50V
C3035		NCBA1AK-104W	CAPACITOR	0.1μF,10V	C3956	NDCA1HJ-5R0W	CAPACITOR	5pF,50V
C3037		NCB30JK-105X	CAPACITOR	1μF,6.3V	C3957	NDCA1HJ-330W	CAPACITOR	33pF,50V
C3038		NCBA1AK-104W	CAPACITOR	0.1μF,10V	C3958	NCB20JM-475X	CAPACITOR	4.7μF,6.3V
C3039		NBE20JM-106X	T CAPACITOR	10μF,6.3V	C3959	NCBA1CK-103W	CAPACITOR	0.01μF,16V
C3040		NBE20JM-106X	T CAPACITOR	10μF,6.3V	C3961	NCBA1HK-102W	CAPACITOR	0.001μF,50V
C3041		NCBA1AK-104W	CAPACITOR	0.1μF,10V	C3962	NDCA1HJ-3R0W	CAPACITOR	3pF,50V
C3042		NCB30JK-105X	CAPACITOR	1μF,6.3V	C3963	NDCA1HJ-5R0W	CAPACITOR	5pF,50V
C3044		NBE20JM-106X	T CAPACITOR	10μF,6.3V	C3964	NDCA1HJ-330W	CAPACITOR	33pF,50V
C3045		NCBA1AK-104W	CAPACITOR	0.1μF,10V	C3965	NCBA1HK-102W	CAPACITOR	0.001μF,50V
C3046		NCB30JK-105X	CAPACITOR	1μF,6.3V	C3967	NCBA1CK-103W	CAPACITOR	0.01μF,16V
C3048		NCBA1AK-104W	CAPACITOR	0.1μF,10V	C3968	NCBA1CK-103W	CAPACITOR	0.01μF,16V
C3052		NCBA1AK-104W	CAPACITOR	0.1μF,10V	C4101	NCF31EZ-104X	CAPACITOR	0.1μF,25V
C3053		NCBA1AK-104W	CAPACITOR	0.1μF,10V	C4102	NBP41EM-475X	T CAPACITOR	4.7μF,25V
C3318		NCBA1CK-103W	CAPACITOR	0.01μF,16V	C4103	NCF31EZ-104X	CAPACITOR	0.1μF,25V

#	△	REF No.	PART No.	PART NAME, DESCRIPTION		#	△	REF No.	PART No.	PART NAME, DESCRIPTION	
C4104			NCBA1AK-104W	CAPACITOR	0.1μF,10V	C4402			NCBA1CK-103W	CAPACITOR	0.01μF,16V
C4105			NBE41AM-476X	T CAPACITOR	47μF,10V	C4801			NBE21AM-106X	T CAPACITOR	10μF,10V
C4106			NCBA1AK-104W	CAPACITOR	0.1μF,10V	C4802			NCFA1AZ-104W	CAPACITOR	0.1μF,10V
C4107			NCBA1AK-104W	CAPACITOR	0.1μF,10V	C4803			NBE90JM-106X	T CAPACITOR	10μF,6.3V
C4108			NBP21VM-105X	T CAPACITOR	1μF,35V	C4804			NCFA1AZ-104W	CAPACITOR	0.1μF,10V
C4109			NCF31EZ-104X	CAPACITOR	0.1μF,25V	C4805			NCFA1AZ-104W	CAPACITOR	0.1μF,10V
C4201			NBE40JM-476X	T CAPACITOR	47μF,6.3V	C4806			NCFA1AZ-104W	CAPACITOR	0.1μF,10V
C4202			NBE20GM-476X	T CAPACITOR	47μF,4.0V	C4808			NCB30JK-105X	CAPACITOR	1μF,6.3V
C4203			NCBA1CK-103W	CAPACITOR	0.01μF,16V	C4809			NCFA1AZ-104W	CAPACITOR	0.1μF,10V
C4204			NCBA1AK-104W	CAPACITOR	0.1μF,10V	C4810			NCFA1HZ-103W	CAPACITOR	0.01μF,50V
C4205			NBE20GM-476X	T CAPACITOR	47μF,4.0V	C4811			NCFA1HZ-103W	CAPACITOR	0.01μF,50V
C4207			NBE90JM-106X	T CAPACITOR	10μF,6.3V	C4812			NCFA1AZ-104W	CAPACITOR	0.1μF,10V
C4208			NCBA1AK-104W	CAPACITOR	0.1μF,10V	C4813			NCFA1AZ-104W	CAPACITOR	0.1μF,10V
C4209			NCBA1AK-104W	CAPACITOR	0.1μF,10V	C4814			NCFA1AZ-104W	CAPACITOR	0.1μF,10V
C4210			NCB30JK-105X	CAPACITOR	1μF,6.3V	C4818			NCFA1AZ-104W	CAPACITOR	0.1μF,10V
C4211			NCB30JK-105X	CAPACITOR	1μF,6.3V	C4819			NCB30JK-105X	CAPACITOR	1μF,6.3V
C4212			NCBA1CK-123W	CAPACITOR	0.012μF,16V	C4820			NCFA1AZ-104W	CAPACITOR	0.1μF,10V
C4213			NCB30JK-105X	CAPACITOR	1μF,6.3V	C4821			NCFA1AZ-104W	CAPACITOR	0.1μF,10V
C4214			NCBA1AK-104W	CAPACITOR	0.1μF,10V	C4851			NBE90JM-106X	T CAPACITOR	10μF,6.3V
C4215			NCB30JK-105X	CAPACITOR	1μF,6.3V	C4852			NCFA1AZ-104W	CAPACITOR	0.1μF,10V
C4216			NCB30JK-105X	CAPACITOR	1μF,6.3V	C4853			NBE91AM-335X	T CAPACITOR	3.3μF,10V
C4217			NCB30JK-105X	CAPACITOR	1μF,6.3V	C4854			NBE21AM-106X	T CAPACITOR	10μF,10V
C4218			NCBA1AK-104W	CAPACITOR	0.1μF,10V	C4855			NCB31CK-104X	CAPACITOR	0.1μF,16V
C4219			NCBA1AK-104W	CAPACITOR	0.1μF,10V	C4858			NDCA1HJ-330W	CAPACITOR	33pF,50V
C4220			NCBA1AK-104W	CAPACITOR	0.1μF,10V	C4859			NCBA1HK-102W	CAPACITOR	0.001μF,50V
C4221			NCBA1CK-103W	CAPACITOR	0.01μF,16V	C4860			NCBA1HK-102W	CAPACITOR	0.001μF,50V
C4222			NCBA1CK-103W	CAPACITOR	0.01μF,16V	C4861			NCBA1HK-102W	CAPACITOR	0.001μF,50V
C4223			NCBA1CK-103W	CAPACITOR	0.01μF,16V	C4862			NCBA1HK-102W	CAPACITOR	0.001μF,50V
C4224			NCBA1CK-103W	CAPACITOR	0.01μF,16V	C4863			NCBA1AK-104W	CAPACITOR	0.1μF,10V
C4225			NCBA1CK-103W	CAPACITOR	0.01μF,16V	C4864			NBE90JM-106X	T CAPACITOR	10μF,6.3V
C4226			NCBA1CK-103W	CAPACITOR	0.01μF,16V	C4865			NCBA1AK-104W	CAPACITOR	0.1μF,10V
C4301			NCB30JK-105X	CAPACITOR	1μF,6.3V	C4901			NBE90JM-106X	T CAPACITOR	10μF,6.3V
C4302			NBE90JM-106X	T CAPACITOR	10μF,6.3V	C4902			NCFA1AZ-104W	CAPACITOR	0.1μF,10V
C4303			NCBA1AK-104W	CAPACITOR	0.1μF,10V	C4903			NCFA1AZ-104W	CAPACITOR	0.1μF,10V
C4304			NBE90JM-106X	T CAPACITOR	10μF,6.3V	C4906			NCB30JK-105X	CAPACITOR	1μF,6.3V
C4306			NCB30JK-105X	CAPACITOR	1μF,6.3V	C4907			NCFA1AZ-104W	CAPACITOR	0.1μF,10V
C4307			NBE90JM-106X	T CAPACITOR	10μF,6.3V	C4908			NCFA1HZ-103W	CAPACITOR	0.01μF,50V
C4308			NCBA1AK-104W	CAPACITOR	0.1μF,10V	C4909			NCFA1AZ-104W	CAPACITOR	0.1μF,10V
C4309			NCBA1AK-104W	CAPACITOR	0.1μF,10V	C4910			NCFA1HZ-103W	CAPACITOR	0.01μF,50V
C4310			NBG40GM-226X	T CAPACITOR	22μF,4.0V	C4911			NCFA1HZ-103W	CAPACITOR	0.01μF,50V
C4312			NCBA1AK-104W	CAPACITOR	0.1μF,10V	C4912			NCBA1HK-102W	CAPACITOR	0.001μF,50V
C4313			NCBA1AK-104W	CAPACITOR	0.1μF,10V	C4913			NCFA1AZ-104W	CAPACITOR	0.1μF,10V
C4315			NCBA1AK-104W	CAPACITOR	0.1μF,10V	C4914			NCFA1AZ-104W	CAPACITOR	0.1μF,10V
C4316			NCBA1AK-104W	CAPACITOR	0.1μF,10V	C4915			NCBA1HK-331W	CAPACITOR	330pF,50V
C4317			NCBA1AK-104W	CAPACITOR	0.1μF,10V	C4917			NCBA1HK-331W	CAPACITOR	330pF,50V
C4318			NCBA1AK-104W	CAPACITOR	0.1μF,10V	C4919			NCB30JK-105X	CAPACITOR	1μF,6.3V
C4319			NCBA1AK-104W	CAPACITOR	0.1μF,10V	C4920			NCFA1AZ-104W	CAPACITOR	0.1μF,10V
C4320			NCBA1AK-104W	CAPACITOR	0.1μF,10V	C4921			NCFA1AZ-104W	CAPACITOR	0.1μF,10V
C4321			NCBA1AK-104W	CAPACITOR	0.1μF,10V	C4922			NBE21AM-106X	T CAPACITOR	10μF,10V
C4322			NCBA1AK-104W	CAPACITOR	0.1μF,10V	C4923			NCFA1AZ-104W	CAPACITOR	0.1μF,10V
C4323			NBE90JM-106X	T CAPACITOR	10μF,6.3V	C5001			NCBA1AK-104W	CAPACITOR	0.1μF,10V
C4351			NCBA1AK-104W	CAPACITOR	0.1μF,10V	C5002			NCBA1AK-104W	CAPACITOR	0.1μF,10V
C4352			NCBA1AK-104W	CAPACITOR	0.1μF,10V	C5003			NBE40JM-476X	T CAPACITOR	47μF,6.3V
C4353			NCB30JK-105X	CAPACITOR	1μF,6.3V	C5004			NCBA1AK-104W	CAPACITOR	0.1μF,10V
C4355			NCB30JK-105X	CAPACITOR	1μF,6.3V	C5005			NCBA1AK-104W	CAPACITOR	0.1μF,10V
C4357			NCB30JK-105X	CAPACITOR	1μF,6.3V	C5006			NCBA1AK-104W	CAPACITOR	0.1μF,10V
C4359			NCB30JK-105X	CAPACITOR	1μF,6.3V	C5007			NCB30JK-105X	CAPACITOR	1μF,6.3V
C4361			NCBA1AK-104W	CAPACITOR	0.1μF,10V	C5008			NBE90JM-106X	T CAPACITOR	10μF,6.3V
C4362			NCBA1AK-104W	CAPACITOR	0.1μF,10V	C5009			NCBA1AK-104W	CAPACITOR	0.1μF,10V
C4363			NCBA1AK-104W	CAPACITOR	0.1μF,10V	C5011			NCBA1AK-104W	CAPACITOR	0.1μF,10V
C4364			NCBA1AK-104W	CAPACITOR	0.1μF,10V	C5012			NCBA1AK-104W	CAPACITOR	0.1μF,10V
C4365			NBE90JM-106X	T CAPACITOR	10μF,6.3V	C5013			NCBA1AK-104W	CAPACITOR	0.1μF,10V
C4401			NBE90GM-226X	T CAPACITOR	22μF,4.0V	C5014			NBM90JM-226X	T CAPACITOR	22μF,6.3V

#	△	REF No.	PART No.	PART NAME, DESCRIPTION		#	△	REF No.	PART No.	PART NAME, DESCRIPTION	
C5017			NCBA1AK-104W	CAPACITOR	0.1μF,10V	L4851			NQR0129-002X	FERRITE BEAD	
C5018			NCB30JK-105X	CAPACITOR	1μF,6.3V	L4852			NQL315K-100X	COIL	10μH
C5019			NCB30JK-105X	CAPACITOR	1μF,6.3V	L4853			NQL315K-100X	COIL	10μH
C5221			NCF31EZ-104X	CAPACITOR	0.1μF,25V	L4901			NQL315K-100X	COIL	10μH
C5222			NCBA1AK-104W	CAPACITOR	0.1μF,10V	L4902			NQL315K-100X	COIL	10μH
C5223			NBP41EM-475X	T CAPACITOR	4.7μF,25V	L5001			NQR0129-002X	FERRITE BEAD	
C5224			NBE41AM-476X	T CAPACITOR	47μF,10V	L5002			NQL045K-100X	COIL	10μH
C5225			NBE41AM-476X	T CAPACITOR	47μF,10V	L5003			NQR0129-002X	FERRITE BEAD	
C5227			NCF31EZ-104X	CAPACITOR	0.1μF,25V	L5004			NQR0129-002X	FERRITE BEAD	
C5228			NCBA1AK-104W	CAPACITOR	0.1μF,10V	L5005			NQR0129-002X	FERRITE BEAD	
C5230			NBE41AM-476X	T CAPACITOR	47μF,10V	L5201			NQR0129-002X	FERRITE BEAD	
C5231			NBE41AM-476X	T CAPACITOR	47μF,10V	L5202			NQR0129-002X	FERRITE BEAD	
C5232			NBE41AM-476X	T CAPACITOR	47μF,10V	L5203			NQL045K-100X	COIL	10μH
C6001			NCBA1AK-104W	CAPACITOR	0.1μF,10V	L5204			NQL045K-100X	COIL	10μH
C6002			NCBA1CK-103W	CAPACITOR	0.01μF,16V	L5207			NQL402M-100X	COIL	10μH
C6003			NCBA1AK-104W	CAPACITOR	0.1μF,10V	L5208			NQL402M-100X	COIL	10μH
C6004			NBE90JM-106X	T CAPACITOR	10μF,6.3V	L6001			NQL402M-100X	COIL	10μH
C6005			NBP21CM-685X	T CAPACITOR	6.8μF,16V	X1001			NAX0450-001X	C OSCILLATOR	
C6006			NCF31AZ-105X	CAPACITOR	1μF,10V	X1002			NAX0267-001X	CRYSTAL RESONATOR	
C6007			NBE90JM-106X	T CAPACITOR	10μF,6.3V	X3002			NAX0206-001X	CRYSTAL RESONATOR	
C6008			NCBA1AK-104W	CAPACITOR	0.1μF,10V	X3301			NAX0169-001X	CRYSTAL RESONATOR	
C6009			NCBA1CK-103W	CAPACITOR	0.01μF,16V	X4301			NAX0332-001X	CXO	
L1001			NQR0265-001X	FERRITE BEAD		WR1			WJT0040-001A	E-CARD WIRE,CN113-EJECT CN2422	
L1002			NQR0265-001X	FERRITE BEAD		WR2			WJV0042-001A	E-PRIMARY WIRE,TL2001-TL4202	
L1003			NQR0265-001X	FERRITE BEAD		J602			NNZ0041-001X	D CONNECTOR	
L1201			NQL315K-100X	COIL	10μH	CN101			QGA1002F1-02X	CONNECTOR	
L1401			NQR0006-001X	FERRITE BEAD		CN102			QGF0513F1-20X	FPC CONNECTOR	
L1402			NRSA02J-0R0X	MG RESISTOR	0Ω,1/10W	CN103			QGA1001F1-02X	CONNECTOR	
L2001			NQR0006-001X	FERRITE BEAD		CN104			QGF0301F1-39X	FPC CONNECTOR	
L3001			NQR0006-001X	FERRITE BEAD		CN105			QGB0403M1-C0X	CONNECTOR	
L3002			NQR0006-001X	FERRITE BEAD		CN106			QGB0404M1-80X	CONNECTOR	
L3003			NQR0006-001X	FERRITE BEAD		CN107			QGB0509M1-30X	CONNECTOR	
L3004			NQR0006-001X	FERRITE BEAD		CN108			QGB0512L2-50X	CONNECTOR	
L3005			NQR0006-001X	FERRITE BEAD		CN109			QGB0507L1-80X	CONNECTOR	
L3006			NQR0006-001X	FERRITE BEAD		CN110			QGF0517F2-22X	FPC CONNECTOR	
L3009			NQL085J-2R2X	COIL	2.2μH	CN111			QGF0517F2-24X	FPC CONNECTOR	
L3305			NQR0006-001X	FERRITE BEAD		CN112			QGB0402J1-80X	CONNECTOR	
L3312			NQL085J-120X	COIL	12μH	CN113			QGF0501F1-13X	FPC CONNECTOR	
L3313			NQL085J-100X	COIL	10μH	OT1			LY30029-0H1A	SPACER(A)	
L3701			NQL302N-100X	COIL	10μH	OT2			LY30016-0P9A	SPACER-A	
L3901			NQR0006-001X	FERRITE BEAD							
L3902			NQR0305-001X	FERRITE BEAD							
L3903			NQR0305-001X	FERRITE BEAD							
L3951			NQL302N-100X	COIL	10μH						
L3952			NQL085J-6R8X	COIL	6.8μH						
L3953			NQL085J-6R8X	COIL	6.8μH						
L4101			NQR0129-002X	FERRITE BEAD							
L4102			NQL045K-100X	COIL	10μH						
L4103			NQR0129-002X	FERRITE BEAD							
L4104			NQL045K-100X	COIL	10μH						
L4201			NQR0265-001X	FERRITE BEAD							
L4202			NQL402M-100X	COIL	10μH						
L4203			NQR0265-001X	FERRITE BEAD							
L4301			NQR0265-001X	FERRITE BEAD							
L4302			NQR0265-001X	FERRITE BEAD							
L4303			NQR0265-001X	FERRITE BEAD							
L4305			NQR0265-001X	FERRITE BEAD							
L4306			NQR0129-002X	FERRITE BEAD							
L4307			NQR0265-001X	FERRITE BEAD							
L4351			NQL402M-100X	COIL	10μH						
L4401			NQR0006-001X	FERRITE BEAD							
L4801			NQL302N-100X	COIL	10μH						
L4802			NQL302N-100X	COIL	10μH						

DSC BOARD ASSEMBLY <02>

PW	YB10302B-01	DSC BOARD ASSY
IC8001	JCY0121-4	IC
IC8003	M32310D5WG	IC
IC8004	MBV800TA10PTA17	IC(MICRO C ROM)
	or MBV800TA12PTA17	IC(MICRO C ROM)
	or MBV800TA90PTA17	IC(MICRO C ROM)
	or 39VF800A7CEKA02	IC(MICRO C ROM)
	or 39VF800A9CEKA02	IC(MICRO C ROM)
IC8006	MM1385NN	IC
IC8007	MM1385EN	IC
IC8008	TC7WHU04FU	IC
IC8009	TC7WH34FK	IC
IC8201	JCY0145-2	IC
IC8202	MM1385GN	IC
IC8203	K4S643232C-TC70	IC

#	△ REF No.	PART No.	PART NAME, DESCRIPTION	#	△ REF No.	PART No.	PART NAME, DESCRIPTION
		or K4S643232C-TC80	IC	R8063		NRSA6AJ-333W	MG RESISTOR 33kΩ,1/16W
IC8204		K4S641632D-TC1H	IC	R8064		NRSA6AJ-333W	MG RESISTOR 33kΩ,1/16W
		or K4S641632D-TC1L	IC	R8065		NRSA6AJ-333W	MG RESISTOR 33kΩ,1/16W
IC8401		ML60851CLB	IC	R8066		NRSA6AJ-333W	MG RESISTOR 33kΩ,1/16W
IC8402		S-80842ANNP-W	IC	R8067		NRSA6AJ-333W	MG RESISTOR 33kΩ,1/16W
Q8401		DTA114EE	TRANSISTOR	R8068		NRSA6AJ-333W	MG RESISTOR 33kΩ,1/16W
		or RN2101	TRANSISTOR	R8069		NRSA6AJ-333W	MG RESISTOR 33kΩ,1/16W
		or UN9111J	TRANSISTOR	R8070		NRSA6AJ-333W	MG RESISTOR 33kΩ,1/16W
D8001		RB751V-40-X	SB DIODE	R8071		NRSA6AJ-333W	MG RESISTOR 33kΩ,1/16W
D8401		1SS355	DIODE	R8072		NRSA6AJ-333W	MG RESISTOR 33kΩ,1/16W
R8002		NRSA6AJ-0R0W	MG RESISTOR 0Ω,1/16W	R8073		NRSA6AJ-333W	MG RESISTOR 33kΩ,1/16W
R8004		NRSA6AJ-0R0W	MG RESISTOR 0Ω,1/16W	R8074		NRSA6AJ-0R0W	MG RESISTOR 0Ω,1/16W
R8006		NRSA6AJ-0R0W	MG RESISTOR 0Ω,1/16W	R8075		NRSA6AJ-0R0W	MG RESISTOR 0Ω,1/16W
R8007		NRSA6AJ-103W	MG RESISTOR 10kΩ,1/16W	R8076		NRSA6AJ-0R0W	MG RESISTOR 0Ω,1/16W
R8008		NRSA6AJ-0R0W	MG RESISTOR 0Ω,1/16W	R8077		NRSA6AJ-0R0W	MG RESISTOR 0Ω,1/16W
R8011		NRSA6AJ-0R0W	MG RESISTOR 0Ω,1/16W	R8078		NRSA6AJ-0R0W	MG RESISTOR 0Ω,1/16W
R8012		NRSA6AJ-103W	MG RESISTOR 10kΩ,1/16W	R8079		NRSA6AJ-0R0W	MG RESISTOR 0Ω,1/16W
R8013		NRSA6AJ-101W	MG RESISTOR 100Ω,1/16W	R8080		NRSA6AJ-0R0W	MG RESISTOR 0Ω,1/16W
R8014		NRSA6AJ-0R0W	MG RESISTOR 0Ω,1/16W	R8081		NRSA6AJ-0R0W	MG RESISTOR 0Ω,1/16W
R8015		NRSA6AJ-133W	MG RESISTOR 13kΩ,1/16W	R8082		NRSA6AJ-0R0W	MG RESISTOR 0Ω,1/16W
R8017		NRSA6AJ-0R0W	MG RESISTOR 0Ω,1/16W	R8083		NRSA6AJ-0R0W	MG RESISTOR 0Ω,1/16W
R8020		NRSA6AJ-0R0W	MG RESISTOR 0Ω,1/16W	R8084		NRSA6AJ-0R0W	MG RESISTOR 0Ω,1/16W
R8021		NRSA6AJ-0R0W	MG RESISTOR 0Ω,1/16W	R8086		NRSA6AJ-103W	MG RESISTOR 10kΩ,1/16W
R8022		NRSA6AJ-0R0W	MG RESISTOR 0Ω,1/16W	R8087		NRSA6AJ-0R0W	MG RESISTOR 0Ω,1/16W
R8023		NRSA6AJ-0R0W	MG RESISTOR 0Ω,1/16W	R8221		NRSA6AJ-0R0W	MG RESISTOR 0Ω,1/16W
R8024		NRSA6AJ-0R0W	MG RESISTOR 0Ω,1/16W	R8222		NRSA6AJ-0R0W	MG RESISTOR 0Ω,1/16W
R8025		NRSA6AJ-0R0W	MG RESISTOR 0Ω,1/16W	R8223		NRSA6AJ-0R0W	MG RESISTOR 0Ω,1/16W
R8026		NRSA6AJ-0R0W	MG RESISTOR 0Ω,1/16W	R8224		NRSA6AJ-0R0W	MG RESISTOR 0Ω,1/16W
R8027		NRSA6AJ-0R0W	MG RESISTOR 0Ω,1/16W	R8225		NRSA6AJ-0R0W	MG RESISTOR 0Ω,1/16W
R8028		NRSA6AJ-0R0W	MG RESISTOR 0Ω,1/16W	R8226		NRSA6AJ-0R0W	MG RESISTOR 0Ω,1/16W
R8029		NRSA6AJ-0R0W	MG RESISTOR 0Ω,1/16W	R8227		NRSA6AJ-0R0W	MG RESISTOR 0Ω,1/16W
R8030		NRSA6AJ-103W	MG RESISTOR 10kΩ,1/16W	R8228		NRSA6AJ-103W	MG RESISTOR 10kΩ,1/16W
R8031		NRSA6AJ-0R0W	MG RESISTOR 0Ω,1/16W	R8229		NRSA6AJ-273W	MG RESISTOR 27kΩ,1/16W
R8032		NRSA6AJ-0R0W	MG RESISTOR 0Ω,1/16W	R8230		NRSA6AJ-0R0W	MG RESISTOR 0Ω,1/16W
R8033		NRSA6AJ-0R0W	MG RESISTOR 0Ω,1/16W	R8231		NRSA6AJ-0R0W	MG RESISTOR 0Ω,1/16W
R8034		NRSA6AJ-0R0W	MG RESISTOR 0Ω,1/16W	R8235		NRSA6AJ-0R0W	MG RESISTOR 0Ω,1/16W
R8035		NRSA6AJ-0R0W	MG RESISTOR 0Ω,1/16W	R8238		NRSA6AJ-0R0W	MG RESISTOR 0Ω,1/16W
R8036		NRSA6AJ-0R0W	MG RESISTOR 0Ω,1/16W	R8239		NRSA6AJ-0R0W	MG RESISTOR 0Ω,1/16W
R8037		NRSA6AJ-0R0W	MG RESISTOR 0Ω,1/16W	R8248		NRSA6AJ-0R0W	MG RESISTOR 0Ω,1/16W
R8038		NRSA6AJ-473W	MG RESISTOR 47kΩ,1/16W	R8249		NRSA6AJ-0R0W	MG RESISTOR 0Ω,1/16W
R8039		NRSA6AJ-0R0W	MG RESISTOR 0Ω,1/16W	R8401		NRSA6AJ-105W	MG RESISTOR 1MΩ,1/16W
R8040		NRSA6AJ-105W	MG RESISTOR 1MΩ,1/16W	R8402		NRS181J-220X	MG RESISTOR 22Ω,1/8W
R8041		NRSA6AJ-103W	MG RESISTOR 10kΩ,1/16W	R8403		NRS181J-220X	MG RESISTOR 22Ω,1/8W
R8042		NRSA6AJ-0R0W	MG RESISTOR 0Ω,1/16W	R8404		NRSA6AJ-152W	MG RESISTOR 1.5kΩ,1/16W
R8043		NRSA6AJ-0R0W	MG RESISTOR 0Ω,1/16W	R8405		NRSA6AJ-105W	MG RESISTOR 1MΩ,1/16W
R8044		NRSA6AJ-0R0W	MG RESISTOR 0Ω,1/16W	R8406		NRSA6AJ-153W	MG RESISTOR 15kΩ,1/16W
R8045		NRSA6AJ-103W	MG RESISTOR 10kΩ,1/16W	R8407		NRSA6AJ-0R0W	MG RESISTOR 0Ω,1/16W
R8046		NRSA6AJ-103W	MG RESISTOR 10kΩ,1/16W	RA8001		NRZ0034-100W	NETWORK RESISTOR 10Ω
R8047		NRSA6AJ-101W	MG RESISTOR 100Ω,1/16W	RA8002		NRZ0034-100W	NETWORK RESISTOR 10Ω
R8049		NRSA6AJ-0R0W	MG RESISTOR 0Ω,1/16W	RA8003		NRZ0034-100W	NETWORK RESISTOR 10Ω
R8050		NRSA6AJ-0R0W	MG RESISTOR 0Ω,1/16W	RA8004		NRZ0034-100W	NETWORK RESISTOR 10Ω
R8051		NRSA6AJ-473W	MG RESISTOR 47kΩ,1/16W	RA8201		NRZ0034-0R0W	NETWORK RESISTOR 0Ω
R8052		NRSA6AJ-101W	MG RESISTOR 100Ω,1/16W	RA8202		NRZ0034-0R0W	NETWORK RESISTOR 0Ω
R8053		NRSA6AJ-103W	MG RESISTOR 10kΩ,1/16W	RA8203		NRZ0034-0R0W	NETWORK RESISTOR 0Ω
R8054		NRSA6AJ-0R0W	MG RESISTOR 0Ω,1/16W	RA8204		NRZ0034-0R0W	NETWORK RESISTOR 0Ω
R8055		NRSA6AJ-0R0W	MG RESISTOR 0Ω,1/16W	RA8222		NRZ0034-0R0W	NETWORK RESISTOR 0Ω
R8056		NRSA6AJ-0R0W	MG RESISTOR 0Ω,1/16W	RA8223		NRZ0034-0R0W	NETWORK RESISTOR 0Ω
R8057		NRSA6AJ-0R0W	MG RESISTOR 0Ω,1/16W	RA8224		NRZ0034-0R0W	NETWORK RESISTOR 0Ω
R8058		NRSA6AJ-333W	MG RESISTOR 33kΩ,1/16W	RA8225		NRZ0034-0R0W	NETWORK RESISTOR 0Ω
R8059		NRSA6AJ-333W	MG RESISTOR 33kΩ,1/16W	RA8401		NRZ0034-221W	NETWORK RESISTOR 220Ω
R8060		NRSA6AJ-333W	MG RESISTOR 33kΩ,1/16W	RA8402		NRZ0034-221W	NETWORK RESISTOR 220Ω
R8061		NRSA6AJ-333W	MG RESISTOR 33kΩ,1/16W	RA8403		NRZ0034-0R0W	NETWORK RESISTOR 0Ω
R8062		NRSA6AJ-333W	MG RESISTOR 33kΩ,1/16W	RA8404		NRZ0034-0R0W	NETWORK RESISTOR 0Ω

#	REF No.	PART No.	PART NAME, DESCRIPTION	#	REF No.	PART No.	PART NAME, DESCRIPTION	
C8006		NCBA1AK-104W	CAPACITOR	0.1μF,10V	C8215	NCBA1AK-104W	CAPACITOR	0.1μF,10V
C8007		NBE90JM-106X	T CAPACITOR	10μF,6.3V	C8216	NCBA1AK-473W	CAPACITOR	0.047μF,10V
C8008		NCB30JK-105X	CAPACITOR	1μF,6.3V	C8217	NCBA1AK-104W	CAPACITOR	0.1μF,10V
C8009		NCBA1AK-104W	CAPACITOR	0.1μF,10V	C8218	NCBA1AK-104W	CAPACITOR	0.1μF,10V
C8010		NBE90JM-106X	T CAPACITOR	10μF,6.3V	C8219	NCB30JK-105X	CAPACITOR	1μF,6.3V
C8011		NCB30JK-105X	CAPACITOR	1μF,6.3V	C8220	NBE90JM-106X	T CAPACITOR	10μF,6.3V
C8017		NCBA1AK-104W	CAPACITOR	0.1μF,10V	C8221	NCBA1AK-104W	CAPACITOR	0.1μF,10V
C8020		NBE90JM-106X	T CAPACITOR	10μF,6.3V	C8222	NBE90JM-106X	T CAPACITOR	10μF,6.3V
C8021		NCBA1CK-103W	CAPACITOR	0.01μF,16V	C8223	NCBA1AK-104W	CAPACITOR	0.1μF,10V
C8022		NCBA1CK-103W	CAPACITOR	0.01μF,16V	C8224	NBE90JM-106X	T CAPACITOR	10μF,6.3V
C8023		NCBA1CK-103W	CAPACITOR	0.01μF,16V	C8225	NCBA1AK-104W	CAPACITOR	0.1μF,10V
C8024		NCBA1CK-103W	CAPACITOR	0.01μF,16V	C8226	NCBA1AK-104W	CAPACITOR	0.1μF,10V
C8025		NCBA1CK-103W	CAPACITOR	0.01μF,16V	C8227	NCBA1AK-104W	CAPACITOR	0.1μF,10V
C8026		NCBA1CK-103W	CAPACITOR	0.01μF,16V	C8228	NBE90JM-106X	T CAPACITOR	10μF,6.3V
C8027		NCBA1CK-103W	CAPACITOR	0.01μF,16V	C8229	NCBA1AK-104W	CAPACITOR	0.1μF,10V
C8028		NCBA1CK-103W	CAPACITOR	0.01μF,16V	C8230	NCBA1AK-104W	CAPACITOR	0.1μF,10V
C8029		NCBA1CK-103W	CAPACITOR	0.01μF,16V	C8231	NCBA1AK-104W	CAPACITOR	0.1μF,10V
C8030		NCBA1CK-103W	CAPACITOR	0.01μF,16V	C8401	NBE90JM-106X	T CAPACITOR	10μF,6.3V
C8031		NCBA1CK-103W	CAPACITOR	0.01μF,16V	C8402	NCBA1AK-104W	CAPACITOR	0.1μF,10V
C8032		NCBA1CK-103W	CAPACITOR	0.01μF,16V	C8403	NCBA1AK-104W	CAPACITOR	0.1μF,10V
C8033		NCBA1CK-103W	CAPACITOR	0.01μF,16V	C8404	NCBA1AK-104W	CAPACITOR	0.1μF,10V
C8034		NCBA1CK-103W	CAPACITOR	0.01μF,16V	L8001	NQR0129-002X	FERRITE BEAD	
C8035		NCBA1CK-103W	CAPACITOR	0.01μF,16V	L8002	NQR0129-002X	FERRITE BEAD	
C8036		NCBA1CK-103W	CAPACITOR	0.01μF,16V	L8003	NQR0129-002X	FERRITE BEAD	
C8037		NCBA1CK-103W	CAPACITOR	0.01μF,16V	L8005	NQR0129-002X	FERRITE BEAD	
C8038		NCBA1CK-103W	CAPACITOR	0.01μF,16V	L8006	NQR0129-002X	FERRITE BEAD	
C8039		NCBA1CK-103W	CAPACITOR	0.01μF,16V	L8007	NQR0129-002X	FERRITE BEAD	
C8040		NCBA1CK-103W	CAPACITOR	0.01μF,16V	L8008	NQR0129-002X	FERRITE BEAD	
C8041		NCBA1CK-103W	CAPACITOR	0.01μF,16V	L8010	NQR0129-002X	FERRITE BEAD	
C8042		NCBA1CK-103W	CAPACITOR	0.01μF,16V	L8201	NQR0265-001X	FERRITE BEAD	
C8043		NCBA1CK-103W	CAPACITOR	0.01μF,16V	L8202	NQR0265-001X	FERRITE BEAD	
C8044		NBE80GM-226X	T CAPACITOR	22μF,4.0V	L8203	NQR0265-001X	FERRITE BEAD	
C8045		NBE80GM-226X	T CAPACITOR	22μF,4.0V	L8204	NQR0265-001X	FERRITE BEAD	
C8046		NBE90JM-106X	T CAPACITOR	10μF,6.3V	L8205	NQR0265-001X	FERRITE BEAD	
C8048		NBE80GM-226X	T CAPACITOR	22μF,4.0V	L8206	NQR0265-001X	FERRITE BEAD	
C8049		NCBA1CK-103W	CAPACITOR	0.01μF,16V	L8402	NQR0265-001X	FERRITE BEAD	
C8050		NCBA1CK-103W	CAPACITOR	0.01μF,16V	X8002	NAX0354-001X	RESONATOR	
C8051		NBE80GM-226X	T CAPACITOR	22μF,4.0V	X8401	NAX0398-001X	C OSCILLATOR	
C8052		NCBA1CK-103W	CAPACITOR	0.01μF,16V	HS1	LY42973-001A	HEAT SINK(DSC)	
C8054		NCB31HK-392X	CAPACITOR	0.0039μF,50V	WR1	QUB450-03A2VL	SIN TWIST WIRE,LUG WIRE	
C8056		NCBA1CK-103W	CAPACITOR	0.01μF,16V	CN8401	QGB0403L1-C0X	CONNECTOR	
C8057		NCBA1CK-103W	CAPACITOR	0.01μF,16V	CN8402	QGF0517F1-20X	FPC CONNECTOR	
C8058		NCBA1AK-104W	CAPACITOR	0.1μF,10V	OT1	LY30029-0D5A	SPACER(A)	
C8059		NCBA1CK-103W	CAPACITOR	0.01μF,16V				
C8060		NCBA1CK-103W	CAPACITOR	0.01μF,16V				
C8062		NCB30JK-105X	CAPACITOR	1μF,6.3V				
C8063		NBE80GM-226X	T CAPACITOR	22μF,4.0V				
C8064		NBE80GM-226X	T CAPACITOR	22μF,4.0V				
C8065		NBE80GM-226X	T CAPACITOR	22μF,4.0V				
C8201		NCBA1AK-104W	CAPACITOR	0.1μF,10V				
C8202		NBE90JM-106X	T CAPACITOR	10μF,6.3V				
C8203		NCBA1AK-104W	CAPACITOR	0.1μF,10V				
C8204		NBE90JM-106X	T CAPACITOR	10μF,6.3V				
C8205		NCBA1AK-104W	CAPACITOR	0.1μF,10V				
C8206		NCBA1AK-104W	CAPACITOR	0.1μF,10V				
C8207		NCBA1AK-104W	CAPACITOR	0.1μF,10V				
C8208		NCBA1AK-104W	CAPACITOR	0.1μF,10V				
C8209		NCBA1AK-104W	CAPACITOR	0.1μF,10V				
C8210		NCBA1AK-104W	CAPACITOR	0.1μF,10V				
C8211		NCBA1AK-104W	CAPACITOR	0.1μF,10V				
C8212		NCBA1AK-104W	CAPACITOR	0.1μF,10V				
C8213		NCBA1AK-104W	CAPACITOR	0.1μF,10V				
C8214		NCBA1AK-104W	CAPACITOR	0.1μF,10V				

PRE/MDA BOARD ASSEMBLY <03>

PW	YB10303A-01	PRE/MDA BOARD ASSY	
IC1601	BD6630KV	IC	
IC1701	TA75W01FU	IC	
IC1702	TA75W393FU	IC	
IC3501	JCY0132	IC	
IC3502	SN74AHC1G04K	IC	
Q1601	UMC3N	TRANSISTOR	
D1602	DAP222	DIODE	
D1603	DAP222	DIODE	
D1604	DAP222	DIODE	
R1601	NRSA6AJ-681W	MG RESISTOR	680Ω,1/16W
R1602	NRSA6AJ-124W	MG RESISTOR	120kΩ,1/16W

#	△ REF No.	PART No.	PART NAME, DESCRIPTION	#	△ REF No.	PART No.	PART NAME, DESCRIPTION
R1603		NRSA6AJ-472W	MG RESISTOR 4.7kΩ,1/16W	C1602		NBE90JM-106X	T CAPACITOR 10μF,6.3V
R1604		NRSA6AJ-104W	MG RESISTOR 100kΩ,1/16W	C1603		NBE21AM-106X	T CAPACITOR 10μF,10V
R1605		NRV142F-R22X	CMF RESISTOR 0.22Ω,1/4W	C1605		NCBA1AK-104W	CAPACITOR 0.1μF,10V
R1606		NRSA6AJ-103W	MG RESISTOR 10kΩ,1/16W	C1606		NCBA1HK-152W	CAPACITOR 0.0015μF,50V
R1609		NRV142F-R33X	CMF RESISTOR 0.33Ω,1/4W	C1607		NCBA1AK-473W	CAPACITOR 0.047μF,10V
R1610		NRSA6AJ-471W	MG RESISTOR 470Ω,1/16W	C1614		NBE21AM-106X	T CAPACITOR 10μF,10V
R1611		NRSA6AJ-471W	MG RESISTOR 470Ω,1/16W	C1618		NCBA1HK-222W	CAPACITOR 0.0022μF,50V
R1612		NRSA6AJ-104W	MG RESISTOR 100kΩ,1/16W	C1619		NCBA1HK-222W	CAPACITOR 0.0022μF,50V
R1613		NRSA6AJ-102W	MG RESISTOR 1kΩ,1/16W	C1620		NCBA1HK-222W	CAPACITOR 0.0022μF,50V
R1614		NRSA6AJ-682W	MG RESISTOR 6.8kΩ,1/16W	C1621		NCB21AK-105X	CAPACITOR 1μF,10V
R1615		NRSA6AJ-103W	MG RESISTOR 10kΩ,1/16W	C1622		NCBA1CK-223W	CAPACITOR 0.022μF,16V
R1616		NRSA6AJ-681W	MG RESISTOR 680Ω,1/16W	C1623		NCBA1AK-473W	CAPACITOR 0.047μF,10V
R1617		NRSA6AJ-224W	MG RESISTOR 220kΩ,1/16W	C1624		NCB31EK-103X	CAPACITOR 0.01μF,25V
R1618		NRSA6AJ-154W	MG RESISTOR 150kΩ,1/16W	C1625		NCBA1AK-473W	CAPACITOR 0.047μF,10V
R1619		NRSA6AJ-223W	MG RESISTOR 22kΩ,1/16W	C1626		NCBA1HK-331W	CAPACITOR 330pF,50V
R1620		NRSA6AJ-103W	MG RESISTOR 10kΩ,1/16W	C1627		NCBA1CK-822W	CAPACITOR 0.0082μF,16V
R1621		NRSA6AJ-103W	MG RESISTOR 10kΩ,1/16W	C1628		NCB21CK-224X	CAPACITOR 0.22μF,16V
R1622		NRSA6AJ-103W	MG RESISTOR 10kΩ,1/16W	C1632		NBE21AM-106X	T CAPACITOR 10μF,10V
R1624		NRVA6AD-123W	CMF RESISTOR 12kΩ,1/16W	C1633		NCF21CZ-684X	CAPACITOR 0.68μF,16V
R1625		NRSA6AJ-0R0W	MG RESISTOR 0Ω,1/16W	C1635		NCBA1AK-104W	CAPACITOR 0.1μF,10V
R1626		NRSA6AJ-0R0W	MG RESISTOR 0Ω,1/16W	C1641		NCB31AK-474X	CAPACITOR 0.47μF,10V
R1627		NRSA6AJ-0R0W	MG RESISTOR 0Ω,1/16W	C1701		NCBA1AK-104W	CAPACITOR 0.1μF,10V
R1628		NRVA6AD-361W	CMF RESISTOR 360Ω,1/16W	C1702		NCBA1AK-104W	CAPACITOR 0.1μF,10V
R1629		NRSA6AJ-564W	MG RESISTOR 560kΩ,1/16W	C3501		NCBA1CK-223W	CAPACITOR 0.022μF,16V
R1630		NRSA6AJ-0R0W	MG RESISTOR 0Ω,1/16W	C3502		NCBA1AK-473W	CAPACITOR 0.047μF,10V
R1631		NRSA6AJ-0R0W	MG RESISTOR 0Ω,1/16W	C3503		NCBA1AK-104W	CAPACITOR 0.1μF,10V
R1632		NRSA6AJ-0R0W	MG RESISTOR 0Ω,1/16W	C3504		NBE20JM-106X	T CAPACITOR 10μF,6.3V
R1633		NRSA6AJ-0R0W	MG RESISTOR 0Ω,1/16W	C3505		NCBA1AK-104W	CAPACITOR 0.1μF,10V
R1634		NRSA6AJ-0R0W	MG RESISTOR 0Ω,1/16W	C3506		NCBA1AK-104W	CAPACITOR 0.1μF,10V
R1635		NRSA6AJ-472W	MG RESISTOR 4.7kΩ,1/16W	C3507		NCBA1AK-104W	CAPACITOR 0.1μF,10V
R1636		NRSA6AJ-123W	MG RESISTOR 12kΩ,1/16W	C3508		NBE20JM-106X	T CAPACITOR 10μF,6.3V
R1637		NRSA6AJ-124W	MG RESISTOR 120kΩ,1/16W	C3509		NCBA1AK-104W	CAPACITOR 0.1μF,10V
R1642		NRSA6AJ-0R0W	MG RESISTOR 0Ω,1/16W	C3510		NBE20JM-106X	T CAPACITOR 10μF,6.3V
R1644		NRSA6AJ-0R0W	MG RESISTOR 0Ω,1/16W	C3511		NCBA1AK-104W	CAPACITOR 0.1μF,10V
R1701		NRSA6AJ-823W	MG RESISTOR 82kΩ,1/16W	C3512		NCBA1AK-104W	CAPACITOR 0.1μF,10V
R1702		NRSA6AJ-222W	MG RESISTOR 2.2kΩ,1/16W	C3513		NBE20JM-106X	T CAPACITOR 10μF,6.3V
R1703		NRSA6AJ-222W	MG RESISTOR 2.2kΩ,1/16W	C3514		NCBA1CK-103W	CAPACITOR 0.01μF,16V
R1704		NRSA6AJ-222W	MG RESISTOR 2.2kΩ,1/16W	C3516		NCBA1AK-104W	CAPACITOR 0.1μF,10V
R1705		NRSA6AJ-222W	MG RESISTOR 2.2kΩ,1/16W	C3517		NDC31HJ-221X	CAPACITOR 220pF,50V
R1706		NRSA6AJ-823W	MG RESISTOR 82kΩ,1/16W	C3519		NCBA1AK-104W	CAPACITOR 0.1μF,10V
R1707		NRSA6AJ-103W	MG RESISTOR 10kΩ,1/16W	C3520		NBE20JM-106X	T CAPACITOR 10μF,6.3V
R1708		NRSA6AJ-124W	MG RESISTOR 120kΩ,1/16W	C3522		NCBA1AK-473W	CAPACITOR 0.047μF,10V
R1709		NRSA6AJ-103W	MG RESISTOR 10kΩ,1/16W	C3523		NCBA1AK-473W	CAPACITOR 0.047μF,10V
R1710		NRSA6AJ-124W	MG RESISTOR 120kΩ,1/16W	C3524		NCBA1AK-473W	CAPACITOR 0.047μF,10V
R1711		NRSA6AJ-102W	MG RESISTOR 1kΩ,1/16W	C3525		NCBA1AK-104W	CAPACITOR 0.1μF,10V
R1712		NRSA6AJ-102W	MG RESISTOR 1kΩ,1/16W	C3526		NCBA1AK-104W	CAPACITOR 0.1μF,10V
R1714		NRSA6AJ-0R0W	MG RESISTOR 0Ω,1/16W	C3527		NCBA1HK-102W	CAPACITOR 0.001μF,50V
R1715		NRSA6AJ-0R0W	MG RESISTOR 0Ω,1/16W	C3528		NCBA1AK-104W	CAPACITOR 0.1μF,10V
R3501		NRSA6AJ-471W	MG RESISTOR 470Ω,1/16W	C3529		NCBA1AK-104W	CAPACITOR 0.1μF,10V
R3502		NRSA6AJ-104W	MG RESISTOR 100kΩ,1/16W	C3530		NBE90JM-475X	T CAPACITOR 4.7μF,6.3V
R3503		NRSA6AJ-102W	MG RESISTOR 1kΩ,1/16W	C3531		NCBA1AK-104W	CAPACITOR 0.1μF,10V
R3504		NRVA6AD-241W	CMF RESISTOR 240Ω,1/16W	C3532		NCBA1AK-104W	CAPACITOR 0.1μF,10V
R3505		NRVA6AD-241W	CMF RESISTOR 240Ω,1/16W	C3533		NBE90JM-475X	T CAPACITOR 4.7μF,6.3V
R3506		NRVA6AD-241W	CMF RESISTOR 240Ω,1/16W	L1601		NQL315M-1R0X	COIL 1μH
R3507		NRVA6AD-241W	CMF RESISTOR 240Ω,1/16W	L3501		NQL302N-100X	COIL 10μH
R3508		NRSA6AJ-223W	MG RESISTOR 22kΩ,1/16W	L3502		NQL302N-100X	COIL 10μH
R3510		NRSA6AJ-0R0W	MG RESISTOR 0Ω,1/16W	L3503		NQL302N-100X	COIL 10μH
R3513		NRSA6AJ-393W	MG RESISTOR 39kΩ,1/16W	L3504		NQR0305-001X	FERRITE BEAD
R3514		NRSA6AJ-682W	MG RESISTOR 6.8kΩ,1/16W	L3505		NQL302N-100X	COIL 10μH
R3515		NRSA6AJ-0R0W	MG RESISTOR 0Ω,1/16W	CN401		QGB0404L1-80X	CONNECTOR
R3517		NRSA6AJ-0R0W	MG RESISTOR 0Ω,1/16W	CN402		QGF0517F1-08X	FPC CONNECTOR
R3518		NRSA6AJ-100W	MG RESISTOR 10Ω,1/16W	CN403		QGF0517F2-06X	FPC CONNECTOR
C1601		NCBA1CK-103W	CAPACITOR 0.01μF,16V	CN404		QGF0517F1-11X	FPC CONNECTOR

#	REF No.	PART No.	PART NAME, DESCRIPTION
	CN405	QGF0517F1-18X	FPC CONNECTOR
	CN406	QGF0517F2-16X	FPC CONNECTOR
	CN407	QGF0517F1-06X	FPC CONNECTOR
	SD1	LY32011-001A	SHIELD CASE(PR)

#	REF No.	PART No.	PART NAME, DESCRIPTION	
	R2207	NRSA6AJ-472W	MG RESISTOR	4.7kΩ, 1/16W
	R2208	NRSA6AJ-820W	MG RESISTOR	82Ω, 1/16W
	R2209	NRSA6AJ-820W	MG RESISTOR	82Ω, 1/16W
	R2210	NRSA6AJ-820W	MG RESISTOR	82Ω, 1/16W
	R2211	NRSA6AJ-100W	MG RESISTOR	10Ω, 1/16W
	R2212	NRSA6AJ-0R0W	MG RESISTOR	0Ω, 1/16W
	R2213	NRSA6AJ-0R0W	MG RESISTOR	0Ω, 1/16W
	R2214	NRSA6AJ-0R0W	MG RESISTOR	0Ω, 1/16W
	R2215	NRSA6AJ-0R0W	MG RESISTOR	0Ω, 1/16W
	R2216	NRSA6AJ-2R7W	MG RESISTOR	2.7Ω, 1/16W
	R2217	NRSA6AJ-2R7W	MG RESISTOR	2.7Ω, 1/16W
	R2218	NRSA6AJ-0R0W	MG RESISTOR	0Ω, 1/16W
	R2219	NRSA6AJ-123W	MG RESISTOR	12kΩ, 1/16W
	R2220	NRSA6AJ-223W	MG RESISTOR	22kΩ, 1/16W
	R2601	NRSA6AJ-103W	MG RESISTOR	10kΩ, 1/16W
	R2602	NRSA6AJ-103W	MG RESISTOR	10kΩ, 1/16W
	R2603	NRSA6AJ-102W	MG RESISTOR	1kΩ, 1/16W
	R2604	NRSA6AJ-102W	MG RESISTOR	1kΩ, 1/16W
	R2605	NRSA6AJ-103W	MG RESISTOR	10kΩ, 1/16W
	R2606	NRSA6AJ-103W	MG RESISTOR	10kΩ, 1/16W
	R2607	NRSA6AJ-102W	MG RESISTOR	1kΩ, 1/16W
	R2608	NRSA6AJ-102W	MG RESISTOR	1kΩ, 1/16W
	R2609	NRSA6AJ-103W	MG RESISTOR	10kΩ, 1/16W
	R2610	NRSA6AJ-103W	MG RESISTOR	10kΩ, 1/16W
	R2611	NRSA6AJ-182W	MG RESISTOR	1.8kΩ, 1/16W
	R2612	NRSA6AJ-182W	MG RESISTOR	1.8kΩ, 1/16W
	R2613	NRSA6AJ-331W	MG RESISTOR	330Ω, 1/16W
	R2614	NRSA6AJ-331W	MG RESISTOR	330Ω, 1/16W
	R2615	NRSA6AJ-682W	MG RESISTOR	6.8kΩ, 1/16W
	R2616	NRSA6AJ-682W	MG RESISTOR	6.8kΩ, 1/16W
	R2617	NRSA6AJ-682W	MG RESISTOR	6.8kΩ, 1/16W
	R2618	NRSA6AJ-682W	MG RESISTOR	6.8kΩ, 1/16W
	R2619	NRSA6AJ-222W	MG RESISTOR	2.2kΩ, 1/16W
	R2620	NRSA6AJ-222W	MG RESISTOR	2.2kΩ, 1/16W
	R2623	NRSA6AJ-223W	MG RESISTOR	22kΩ, 1/16W
	R2624	NRSA6AJ-223W	MG RESISTOR	22kΩ, 1/16W
	R2625	NRSA6AJ-103W	MG RESISTOR	10kΩ, 1/16W
	R2626	NRSA6AJ-103W	MG RESISTOR	10kΩ, 1/16W
	R2627	NRSA6AJ-332W	MG RESISTOR	3.3kΩ, 1/16W
	R2628	NRSA6AJ-332W	MG RESISTOR	3.3kΩ, 1/16W
	R2629	NRSA6AJ-392W	MG RESISTOR	3.9kΩ, 1/16W
	R2630	NRSA6AJ-392W	MG RESISTOR	3.9kΩ, 1/16W
	R2631	NRSA6AJ-472W	MG RESISTOR	4.7kΩ, 1/16W
	R2632	NRSA6AJ-472W	MG RESISTOR	4.7kΩ, 1/16W
	R2633	NRSA6AJ-222W	MG RESISTOR	2.2kΩ, 1/16W
	R2634	NRSA6AJ-222W	MG RESISTOR	2.2kΩ, 1/16W
	R2635	NRSA6AJ-153W	MG RESISTOR	15kΩ, 1/16W
	R2636	NRSA6AJ-153W	MG RESISTOR	15kΩ, 1/16W
	R2637	NRSA6AJ-104W	MG RESISTOR	100kΩ, 1/16W
	R2638	NRSA6AJ-104W	MG RESISTOR	100kΩ, 1/16W
	R2639	NRSA6AJ-473W	MG RESISTOR	47kΩ, 1/16W
	R2640	NRSA6AJ-473W	MG RESISTOR	47kΩ, 1/16W
	R2641	NRSA6AJ-104W	MG RESISTOR	100kΩ, 1/16W
	R2643	NRSA6AJ-0R0W	MG RESISTOR	0Ω, 1/16W
	R2645	NRSA6AJ-0R0W	MG RESISTOR	0Ω, 1/16W
	R2646	NRSA6AJ-0R0W	MG RESISTOR	0Ω, 1/16W
	R2649	NRSA6AJ-0R0W	MG RESISTOR	0Ω, 1/16W
	R2650	NRSA63J-0R0X	MG RESISTOR	0Ω, 1/16W
	R2651	NRSA63J-0R0X	MG RESISTOR	0Ω, 1/16W
	R2652	NRSA63J-0R0X	MG RESISTOR	0Ω, 1/16W
	R2701	NRSA6AJ-102W	MG RESISTOR	1kΩ, 1/16W
	R2702	NRSA6AJ-102W	MG RESISTOR	1kΩ, 1/16W
	R2705	NRSA6AJ-223W	MG RESISTOR	22kΩ, 1/16W

AUDIO BOARD ASSEMBLY <04>

PW1	YB10304A1-02	AUDIO BOARD ASSY	
IC1101	TA75W01FU	IC	
IC2201	AK4560AVQ	IC	
Q1151	RPM-22PB	PHOTO TRANSISTOR	
Q2201	2SC4617/QR/-X	TRANSISTOR	
Q2202	2SC4617/QR/-X	TRANSISTOR	
Q2203	2SD1626	TRANSISTOR	
Q2601	2SC4617/QR/-X	TRANSISTOR	
Q2602	2SC4617/QR/-X	TRANSISTOR	
Q2603	2SA1774/QR/-X	TRANSISTOR	
Q2604	2SA1774/QR/-X	TRANSISTOR	
Q2605	DTA124EE	TRANSISTOR	
	or UN9112J	TRANSISTOR	
	or RN2103	TRANSISTOR	
Q2701	2SC4617/QR/-X	TRANSISTOR	
Q2702	2SC4617/QR/-X	TRANSISTOR	
Q2703	2SC5585	TRANSISTOR	
Q2704	2SC5585	TRANSISTOR	
Q2901	2SB1121/TU/-X	TRANSISTOR	
	or 2SB1121/ST/-X	TRANSISTOR	
Q2902	2SC4617/QR/-X	TRANSISTOR	
Q2903	DTC144EE	TRANSISTOR	
	or PDTC144EE	TRANSISTOR	
	or RN1104	TRANSISTOR	
	or UN9213J	TRANSISTOR	
Q2904	DTC144EE	TRANSISTOR	
	or PDTC144EE	TRANSISTOR	
	or UN9213J	TRANSISTOR	
	or RN1104	TRANSISTOR	
Q2905	UMH6N	TRANSISTOR	
D2706	DAP222	DIODE	
D2901	EMZ6.8N	ZENER DIODE	
D2902	EMZ6.8N	ZENER DIODE	
D2903	EMZ6.8N	ZENER DIODE	
R1101	NRSA6AJ-333W	MG RESISTOR	33kΩ, 1/16W
R1102	NRSA6AJ-472W	MG RESISTOR	4.7kΩ, 1/16W
R1104	NRSA6AJ-105W	MG RESISTOR	1MΩ, 1/16W
R1106	NRSA6AJ-105W	MG RESISTOR	1MΩ, 1/16W
R1107	NRSA6AJ-103W	MG RESISTOR	10kΩ, 1/16W
R1108	NRSA6AJ-472W	MG RESISTOR	4.7kΩ, 1/16W
R1109	NRSA6AJ-103W	MG RESISTOR	10kΩ, 1/16W
R1110	NRSA63J-0R0X	MG RESISTOR	0Ω, 1/16W
R1111	NRSA63J-0R0X	MG RESISTOR	0Ω, 1/16W
R1112	NRSA63J-0R0X	MG RESISTOR	0Ω, 1/16W
R1113	NRSA63J-0R0X	MG RESISTOR	0Ω, 1/16W
R1151	NRSA63J-302X	MG RESISTOR	3kΩ, 1/16W
R2201	NRSA6AJ-224W	MG RESISTOR	220kΩ, 1/16W
R2202	NRSA6AJ-183W	MG RESISTOR	18kΩ, 1/16W
R2203	NRSA6AJ-104W	MG RESISTOR	100kΩ, 1/16W
R2204	NRSA6AJ-0R0W	MG RESISTOR	0Ω, 1/16W
R2205	NRSA6AJ-332W	MG RESISTOR	3.3kΩ, 1/16W
R2206	NRSA6AJ-102W	MG RESISTOR	1kΩ, 1/16W

#	△ REF No.	PART No.	PART NAME, DESCRIPTION	#	△ REF No.	PART No.	PART NAME, DESCRIPTION
R2706		NRSA6AJ-223W	MG RESISTOR 22kΩ,1/16W	C2621		NCBA1AK-473W	CAPACITOR 0.047μF,10V
R2707		NRSA6AJ-273W	MG RESISTOR 27kΩ,1/16W	C2622		NCBA1AK-473W	CAPACITOR 0.047μF,10V
R2708		NRSA6AJ-273W	MG RESISTOR 27kΩ,1/16W	C2625		NBP21DM-475X	T CAPACITOR 4.7μF,20V
R2709		NRSA6AJ-151W	MG RESISTOR 150Ω,1/16W	C2626		NBP21DM-475X	T CAPACITOR 4.7μF,20V
R2710		NRSA6AJ-151W	MG RESISTOR 150Ω,1/16W	C2627		NCBA1AK-473W	CAPACITOR 0.047μF,10V
R2713		NRSA6AJ-682W	MG RESISTOR 6.8kΩ,1/16W	C2628		NCBA1AK-473W	CAPACITOR 0.047μF,10V
R2714		NRSA6AJ-682W	MG RESISTOR 6.8kΩ,1/16W	C2629		NCBA1CK-223W	CAPACITOR 0.022μF,16V
R2901		NRSA6AJ-0R0W	MG RESISTOR 0Ω,1/16W	C2630		NCBA1CK-223W	CAPACITOR 0.022μF,16V
R2903		NRSA6AJ-103W	MG RESISTOR 10kΩ,1/16W	C2631		NCBA1AK-104W	CAPACITOR 0.1μF,10V
R2905		NRSA6AJ-102W	MG RESISTOR 1kΩ,1/16W	C2632		NCBA1AK-104W	CAPACITOR 0.1μF,10V
R2906		NRSA6AJ-103W	MG RESISTOR 10kΩ,1/16W	C2633		NCBA1HK-182W	CAPACITOR 0.0018μF,50V
R2907		NRSA6AJ-473W	MG RESISTOR 47kΩ,1/16W	C2634		NCBA1HK-182W	CAPACITOR 0.0018μF,50V
R2908		NRSA6AJ-473W	MG RESISTOR 47kΩ,1/16W	C2635		NCB30JK-105X	CAPACITOR 1μF,6.3V
R2909		NRSA6AJ-472W	MG RESISTOR 4.7kΩ,1/16W	C2636		NCB30JK-105X	CAPACITOR 1μF,6.3V
R2910		NRSA6AJ-391W	MG RESISTOR 390Ω,1/16W	C2637		NCBA1CK-223W	CAPACITOR 0.022μF,16V
R2911		NRSA6AJ-104W	MG RESISTOR 100kΩ,1/16W	C2638		NCBA1CK-223W	CAPACITOR 0.022μF,16V
R2912		NRSA6AJ-153W	MG RESISTOR 15kΩ,1/16W	C2639		NCBA1EK-472W	CAPACITOR 0.0047μF,25V
R2913		NRSA6AJ-183W	MG RESISTOR 18kΩ,1/16W	C2640		NCBA1EK-472W	CAPACITOR 0.0047μF,25V
R2917		NRSA6AJ-153W	MG RESISTOR 15kΩ,1/16W	C2641		NCBA1EK-472W	CAPACITOR 0.0047μF,25V
R2918		NRSA6AJ-153W	MG RESISTOR 15kΩ,1/16W	C2642		NCBA1EK-472W	CAPACITOR 0.0047μF,25V
R2919		NRSA6AJ-105W	MG RESISTOR 1MΩ,1/16W	C2643		NCB30JK-105X	CAPACITOR 1μF,6.3V
R2920		NRSA6AJ-105W	MG RESISTOR 1MΩ,1/16W	C2644		NCB30JK-105X	CAPACITOR 1μF,6.3V
C1101		NCBA1AK-104W	CAPACITOR 0.1μF,10V	C2646		NCB21AK-105X	CAPACITOR 1μF,10V
C1102		NCBA1CK-223W	CAPACITOR 0.022μF,16V	C2647		NBE20JM-106X	T CAPACITOR 10μF,6.3V
C1103		NCBA1CK-223W	CAPACITOR 0.022μF,16V	C2701		NCB21AK-105X	CAPACITOR 1μF,10V
C1111		NCB30JK-105X	CAPACITOR 1μF,6.3V	C2702		NCB21AK-105X	CAPACITOR 1μF,10V
C1112		NBE20JM-106X	T CAPACITOR 10μF,6.3V	C2703		NRSA02J-0R0X	MG RESISTOR 0Ω,1/10W
C1113		NBE20JM-106X	T CAPACITOR 10μF,6.3V	C2704		NRSA02J-0R0X	MG RESISTOR 0Ω,1/10W
C1114		NCBA1CK-103W	CAPACITOR 0.01μF,16V	C2707		NCBA1AK-104W	CAPACITOR 0.1μF,10V
C1151		NBE20JM-106X	T CAPACITOR 10μF,6.3V	C2708		NCBA1AK-104W	CAPACITOR 0.1μF,10V
C2201		NCB21AK-105X	CAPACITOR 1μF,10V	C2709		NBE20GM-226X	T CAPACITOR 22μF,4.0V
C2202		NCB21AK-105X	CAPACITOR 1μF,10V	C2710		NBE20GM-226X	T CAPACITOR 22μF,4.0V
C2203		NBE80JM-106X	T CAPACITOR 10μF,6.3V	C2901		NCBA1CK-103W	CAPACITOR 0.01μF,16V
C2204		NCB30JK-105X	CAPACITOR 1μF,6.3V	C2904		NCBA1CK-103W	CAPACITOR 0.01μF,16V
C2205		NCB30JK-105X	CAPACITOR 1μF,6.3V	C2907		NCB30JK-105X	CAPACITOR 1μF,6.3V
C2206		NCBA1AK-104W	CAPACITOR 0.1μF,10V	L1101		NQL402M-100X	COIL 10μH
C2207		NCBA1AK-104W	CAPACITOR 0.1μF,10V	L1151		NQR0265-001X	FERRITE BEAD
C2208		NCBA1AK-333W	CAPACITOR 0.033μF,10V	L2201		NQL315K-100X	COIL 10μH
C2209		NCBA1CK-153W	CAPACITOR 0.015μF,16V	L2202		NRSA63J-0R0X	MG RESISTOR 0Ω,1/16W
C2210		NBE20JM-106X	T CAPACITOR 10μF,6.3V	L2203		NRSA63J-0R0X	MG RESISTOR 0Ω,1/16W
C2211		NCB21AK-105X	CAPACITOR 1μF,10V	L2204		NRSA63J-0R0X	MG RESISTOR 0Ω,1/16W
C2212		NBE20JM-106X	T CAPACITOR 10μF,6.3V	L2205		NRSA63J-0R0X	MG RESISTOR 0Ω,1/16W
C2213		NBE20JM-106X	T CAPACITOR 10μF,6.3V	L2206		NRSA63J-0R0X	MG RESISTOR 0Ω,1/16W
C2220		NCBA1AK-104W	CAPACITOR 0.1μF,10V	L2601		NQR0251-004X	FERRITE BEAD
C2221		NCBA1AK-104W	CAPACITOR 0.1μF,10V	L2602		NQR0251-004X	FERRITE BEAD
C2230		NCBA1CK-103W	CAPACITOR 0.01μF,16V	L2603		NQR0251-004X	FERRITE BEAD
C2231		NCBA1CK-103W	CAPACITOR 0.01μF,16V	L2604		NRSA63J-0R0X	MG RESISTOR 0Ω,1/16W
C2232		NCBA1CK-103W	CAPACITOR 0.01μF,16V	L2605		NRSA63J-0R0X	MG RESISTOR 0Ω,1/16W
C2233		NCBA1CK-103W	CAPACITOR 0.01μF,16V	L2606		NRSA63J-0R0X	MG RESISTOR 0Ω,1/16W
C2234		NCBA1CK-103W	CAPACITOR 0.01μF,16V	L2607		NRSA63J-0R0X	MG RESISTOR 0Ω,1/16W
C2235		NCBA1CK-103W	CAPACITOR 0.01μF,16V	L2901		NRSA63J-0R0X	MG RESISTOR 0Ω,1/16W
C2601		NCBA1HK-102W	CAPACITOR 0.001μF,50V	L2902		NRSA63J-0R0X	MG RESISTOR 0Ω,1/16W
C2602		NCBA1HK-102W	CAPACITOR 0.001μF,50V	L2903		NRSA63J-0R0X	MG RESISTOR 0Ω,1/16W
C2607		NCBA1HK-102W	CAPACITOR 0.001μF,50V	L2904		NRSA63J-0R0X	MG RESISTOR 0Ω,1/16W
C2608		NCBA1HK-102W	CAPACITOR 0.001μF,50V	L2905		NRSA63J-0R0X	MG RESISTOR 0Ω,1/16W
C2611		NCBA1AK-104W	CAPACITOR 0.1μF,10V	L2906		NRSA63J-0R0X	MG RESISTOR 0Ω,1/16W
C2612		NCBA1AK-104W	CAPACITOR 0.1μF,10V	L2907		NRSA63J-0R0X	MG RESISTOR 0Ω,1/16W
C2615		NCBA1CK-103W	CAPACITOR 0.01μF,16V	L2908		NRSA63J-0R0X	MG RESISTOR 0Ω,1/16W
C2616		NCBA1CK-103W	CAPACITOR 0.01μF,16V	L2909		NRSA63J-0R0X	MG RESISTOR 0Ω,1/16W
C2617		NCBA1AK-473W	CAPACITOR 0.047μF,10V	L2910		NRSA63J-0R0X	MG RESISTOR 0Ω,1/16W
C2618		NCBA1AK-473W	CAPACITOR 0.047μF,10V	L2911		NRSA63J-0R0X	MG RESISTOR 0Ω,1/16W
C2619		NCBA1HK-102W	CAPACITOR 0.001μF,50V	J201		QNS0168-001	3.5 JACK,EXT MIC
C2620		NCBA1HK-102W	CAPACITOR 0.001μF,50V	CN201		QGB0402K1-80X	CONNECTOR

#	REF No.	PART No.	PART NAME, DESCRIPTION
	CN202	QGF0517F1-16X	FPC CONNECTOR
	CN203	QGF0505F2-08X	FPC CONNECTOR
	CN204	QGA1002F1-03X	CONNECTOR
	CN205	QGF0517F1-10X	FPC CONNECTOR

#	REF No.	PART No.	PART NAME, DESCRIPTION	
	R6126	NRVA6AD-103W	CMF RESISTOR	10kΩ,1/16W
	R6127	NRSA6AJ-4R7W	MG RESISTOR	4.7Ω,1/16W
	R6128	NRVA6AD-473W	CMF RESISTOR	47kΩ,1/16W
	R6129	NRVA6AD-562W	CMF RESISTOR	5.6kΩ,1/16W
	R6130	NRSA6AJ-0R0W	MG RESISTOR	0Ω,1/16W
	R6131	NRVA6AD-223W	CMF RESISTOR	22kΩ,1/16W
	R6132	NRVA6AD-473W	CMF RESISTOR	47kΩ,1/16W
	R6133	NRSA6AJ-4R7W	MG RESISTOR	4.7Ω,1/16W
	R6134	NRVA6AD-273W	CMF RESISTOR	27kΩ,1/16W
	R6135	NRVA6AD-472W	CMF RESISTOR	4.7kΩ,1/16W
	R6136	NRVA6AD-473W	CMF RESISTOR	47kΩ,1/16W
	R6137	NRSA6AJ-473W	MG RESISTOR	47kΩ,1/16W
	R6138	NRSA6AJ-4R7W	MG RESISTOR	4.7Ω,1/16W
	R6139	NRVA6AD-272W	CMF RESISTOR	2.7kΩ,1/16W
	R6140	NRVA6AD-623W	CMF RESISTOR	62kΩ,1/16W
	R6141	NRVA6AD-392W	CMF RESISTOR	3.9kΩ,1/16W
	R6142	NRSA6AJ-105W	MG RESISTOR	1MΩ,1/16W
	R6143	NRSA6AJ-473W	MG RESISTOR	47kΩ,1/16W
	R6144	NRSA6AJ-273W	MG RESISTOR	27kΩ,1/16W
	R6145	NRSA6AJ-822W	MG RESISTOR	8.2kΩ,1/16W
	R6146	NRVA6AD-513W	CMF RESISTOR	51kΩ,1/16W
	R6147	NRSA6AD-823W	MG RESISTOR	82kΩ,1/16W
	R6148	NRVA6AD-473W	CMF RESISTOR	47kΩ,1/16W
	R6149	NRSA6AJ-222W	MG RESISTOR	2.2kΩ,1/16W
	R6151	NRSA6AJ-104W	MG RESISTOR	100kΩ,1/16W
	R6152	NRSA6AJ-823W	MG RESISTOR	82kΩ,1/16W
	R6153	NRVA6AD-623W	CMF RESISTOR	62kΩ,1/16W
	R6155	NRVA6AD-683W	CMF RESISTOR	68kΩ,1/16W
	R6156	NRSA6AJ-333W	MG RESISTOR	33kΩ,1/16W
	R6157	NRSA6AJ-333W	MG RESISTOR	33kΩ,1/16W
	R6158	NRSA6AJ-102W	MG RESISTOR	1kΩ,1/16W
	R6159	NRSA6AJ-0R0W	MG RESISTOR	0Ω,1/16W
	R6160	NRSA63J-0R0X	MG RESISTOR	0Ω,1/16W
	C6101	NCB21CK-105X	CAPACITOR	1μF,16V
	C6102	NCB21CK-105X	CAPACITOR	1μF,16V
	C6103	NBPE1CM-106X	T CAPACITOR	10μF,16V
	C6104	NCBA1AK-104W	CAPACITOR	0.1μF,10V
	C6105	NCF31AZ-105X	CAPACITOR	1μF,10V
	C6106	NCBA1CK-103W	CAPACITOR	0.01μF,16V
	C6107	NCB21CK-105X	CAPACITOR	1μF,16V
	C6108	NCF31AZ-105X	CAPACITOR	1μF,10V
	C6109	NCBA1EK-472W	CAPACITOR	0.0047μF,25V
	C6110	NCBA1CK-223W	CAPACITOR	0.022μF,16V
	C6111	NCBA1AK-104W	CAPACITOR	0.1μF,10V
	C6112	NCBA1HK-272W	CAPACITOR	0.0027μF,50V
	C6113	NCBA1AK-104W	CAPACITOR	0.1μF,10V
	C6114	NCBA1HK-561W	CAPACITOR	560pF,50V
	C6115	NCBA1HK-561W	CAPACITOR	560pF,50V
	C6117	NCBA1CK-103W	CAPACITOR	0.01μF,16V
	C6118	NDCA1HJ-101W	CAPACITOR	100pF,50V
	C6119	NBE20JM-106X	T CAPACITOR	10μF,6.3V
	C6120	NCF31AZ-105X	CAPACITOR	1μF,10V
	C6121	NCB21CK-105X	CAPACITOR	1μF,16V
	C6122	NCB10JK-106X	CAPACITOR	10μF,6.3V
	C6123	NCBA1HK-102W	CAPACITOR	0.001μF,50V
	C6127	NCB21CK-105X	CAPACITOR	1μF,16V
	C6128	NCB10JK-106X	CAPACITOR	10μF,6.3V
	C6129	NCBA1EK-472W	CAPACITOR	0.0047μF,25V
	C6130	NCB21CK-105X	CAPACITOR	1μF,16V
	C6131	NCB21CK-105X	CAPACITOR	1μF,16V
	C6133	NCB31CK-683X	CAPACITOR	0.068μF,16V
	C6134	NCB21CK-105X	CAPACITOR	1μF,16V
	C6135	NCB21CK-105X	CAPACITOR	1μF,16V

REG BOARD ASSEMBLY <05>

PW2	YB10304A2-02	REG BOARD ASSY	
IC6101	FA3676F	IC	
Q6101	NDS352AP	MOS FET	
Q6103	NDS352AP	MOS FET	
Q6105	NDS352AP	MOS FET	
Q6106	NDS352AP	MOS FET	
Q6107	NDS352AP	MOS FET	
Q6108	NDS352AP	MOS FET	
Q6109	HN1C01FU/G/-X	PAIR TRANSISTOR	
	or PUMX1	PAIR TRANSISTOR	
Q6110	2SA1577/QR/-X	TRANSISTOR	
Q6111	2SC4617/QR/-X	TRANSISTOR	
	or 2SC4738/YG/-X	TRANSISTOR	
Q6112	DTC144EE	TRANSISTOR	
	or PDTC144EE	TRANSISTOR	
	or UN9213J	TRANSISTOR	
	or RN1104	TRANSISTOR	
Q6113	HN1A01FU/G/-X	PAIR TRANSISTOR	
	or PUMT1	PAIR TRANSISTOR	
Q6114	2SC4617/QR/-X	TRANSISTOR	
	or 2SC4738/YG/-X	TRANSISTOR	
D6101	EP10LA03	SB DIODE	
D6102	EP10LA03	SB DIODE	
D6103	EP10LA03	SB DIODE	
D6104	EP10LA03	SB DIODE	
D6105	EP10LA03	SB DIODE	
D6106	1SS383	SB DIODE	
D6107	MA8091/L/-X	ZENER DIODE	
D6108	1SS383	SB DIODE	
R6101	NRSA6AJ-224W	MG RESISTOR	220kΩ,1/16W
R6102	NRSA6AJ-184W	MG RESISTOR	180kΩ,1/16W
R6104	NRVA6AD-472W	CMF RESISTOR	4.7kΩ,1/16W
R6105	NRVA6AD-113W	CMF RESISTOR	11kΩ,1/16W
R6106	NRSA6AJ-223W	MG RESISTOR	22kΩ,1/16W
R6107	NRSA6AJ-223W	MG RESISTOR	22kΩ,1/16W
R6108	NRSA6AJ-104W	MG RESISTOR	100kΩ,1/16W
R6109	NRSA63J-0R0X	MG RESISTOR	0Ω,1/16W
R6110	NRSA63J-0R0X	MG RESISTOR	0Ω,1/16W
R6111	NRSA6AJ-4R7W	MG RESISTOR	4.7Ω,1/16W
R6113	NRVA6AD-223W	CMF RESISTOR	22kΩ,1/16W
R6114	NRVA6AD-113W	CMF RESISTOR	11kΩ,1/16W
R6116	NRSA6AJ-4R7W	MG RESISTOR	4.7Ω,1/16W
R6118	NRVA6AD-333W	CMF RESISTOR	33kΩ,1/16W
R6119	NRVA6AD-473W	CMF RESISTOR	47kΩ,1/16W
R6120	NRSA6AJ-473W	MG RESISTOR	47kΩ,1/16W
R6121	NRSA6AJ-4R7W	MG RESISTOR	4.7Ω,1/16W
R6122	NRVA6AD-243W	CMF RESISTOR	24kΩ,1/16W
R6123	NRVA6AD-302W	CMF RESISTOR	3kΩ,1/16W
R6124	NRVA6AD-104W	CMF RESISTOR	100kΩ,1/16W
R6125	NRVA6AD-123W	CMF RESISTOR	12kΩ,1/16W

#	△ REF No.	PART No.	PART NAME, DESCRIPTION	
C6137		NCB31AK-224X	CAPACITOR	0.22μF,10V
C6138		NCB21CK-105X	CAPACITOR	1μF,16V
C6139		NCB10JK-106X	CAPACITOR	10μF,6.3V
C6140		NCBA1HK-102W	CAPACITOR	0.001μF,50V
C6141		NCB21CK-105X	CAPACITOR	1μF,16V
C6142		NCB21CK-105X	CAPACITOR	1μF,16V
C6143		NCB21CK-105X	CAPACITOR	1μF,16V
C6144		NCB11EK-105X	CAPACITOR	1μF,25V
C6145		NCBA1HK-102W	CAPACITOR	0.001μF,50V
C6146		NCBA1CK-103W	CAPACITOR	0.01μF,16V
C6147		NCB21CK-105X	CAPACITOR	1μF,16V
C6148		NCB21CK-105X	CAPACITOR	1μF,16V
C6149		NCB21CK-105X	CAPACITOR	1μF,16V
C6150		NCB11EK-105X	CAPACITOR	1μF,25V
C6151		NCB21CK-105X	CAPACITOR	1μF,16V
C6152		NCB21CK-105X	CAPACITOR	1μF,16V
L6101		NQLZ011-4R7X	COIL	4.7μH
L6102		NQLZ011-4R7X	COIL	4.7μH
L6103		NQLZ007-390X	COIL	39μH
L6107		NQLZ011-390X	COIL	39μH
L6108		NQLZ011-470X	COIL	47μH
L6109		NQLZ011-470X	COIL	47μH
L6110		NQLZ011-390X	COIL	39μH
L6111		NQL144K-220X	COIL	22μH
L6112		NQLZ011-221X	COIL	220μH
CN601		QGB0507M1-80X	CONNECTOR	
CN602		QGF0505F2-12X	FPC CONNECTOR	
△ F6101		NMFZ007-2R0X-K	FUSE	T2.0A
△ F6102		NMFZ007-2R0X-K	FUSE	T2.0A
△ F6103		NMFZ007-R50X-K	FUSE	T0.5A
OT1		LY42978-001A	SPACER(REG PWB)	

MONITOR BOARD ASSEMBLY <06>

PW	YB10306B-01	MONITOR BOARD ASSY
IC7301	CXA3268AR-B	IC
IC7302	AT25040N-10SC-X	IC
	or 25LC040-I/SN-X	IC
IC7401	CXA3503R-B	IC
IC7501	TL1451CPW	IC
IC7502	TC7SH04FU	IC(DIGITAL)
	or SN74AHC1G04K	IC
Q7301	2SA1774/QR/-X	TRANSISTOR
Q7302	2SA1577/QR/-X	TRANSISTOR
Q7303	DTC144EE	TRANSISTOR
	or RN1104	TRANSISTOR
	or UN9213J	TRANSISTOR
Q7304	2SC4617/QR/-X	TRANSISTOR
	or 2SC4738/YG/-X	TRANSISTOR
Q7305	2SA1774/QR/-X	TRANSISTOR
	or 2SA1832/YG/-X	TRANSISTOR
Q7306	2SC4617/QR/-X	TRANSISTOR
	or 2SC4738/YG/-X	TRANSISTOR
Q7307	2SA1774/QR/-X	TRANSISTOR
	or 2SA1832/YG/-X	TRANSISTOR
Q7401	2SA1774/QR/-X	TRANSISTOR
	or 2SA1832/YG/-X	TRANSISTOR
Q7501	UMD3N	TRANSISTOR
Q7502	SSM3K01F	MOS FET

#	△ REF No.	PART No.	PART NAME, DESCRIPTION	
Q7503		2SC4617/QR/-X	TRANSISTOR	
Q7504		XP6401	TRANSISTOR	
D7301		MA365	VARI CAP DIODE	
D7302		UDZ2.7B	ZENER DIODE	
D7303		UDZ4.3B	ZENER DIODE	
D7401		MA365	VARI CAP DIODE	
D7501		MA142WK	DIODE	
R7301		NRSA63J-271X	MG RESISTOR	270Ω,1/16W
R7302		NRSA63J-102X	MG RESISTOR	1kΩ,1/16W
R7303		NRVA63D-333X	CMF RESISTOR	33kΩ,1/16W
R7304		NRVA63D-153X	CMF RESISTOR	15kΩ,1/16W
R7305		NRSA63J-100X	MG RESISTOR	10Ω,1/16W
R7306		NRSA63J-100X	MG RESISTOR	10Ω,1/16W
R7307		NRSA63J-100X	MG RESISTOR	10Ω,1/16W
R7314		NRSA63J-0R0X	MG RESISTOR	0Ω,1/16W
R7315		NRSA63J-0R0X	MG RESISTOR	0Ω,1/16W
R7316		NRSA63J-472X	MG RESISTOR	4.7kΩ,1/16W
R7320		NRSA63J-473X	MG RESISTOR	47kΩ,1/16W
R7321		NVP0016-473X	TRIM RESISTOR,PLL(MONI)	
R7322		NRSA63J-0R0X	MG RESISTOR	0Ω,1/16W
R7323		NRSA63J-333X	MG RESISTOR	33kΩ,1/16W
R7324		NRSA63J-103X	MG RESISTOR	10kΩ,1/16W
R7325		NRSA63J-102X	MG RESISTOR	10kΩ,1/16W
R7326		NRSA63J-103X	MG RESISTOR	10kΩ,1/16W
R7330		NRSA63J-103X	MG RESISTOR	10kΩ,1/16W
R7331		NRSA63J-472X	MG RESISTOR	4.7kΩ,1/16W
R7332		NRSA63J-100X	MG RESISTOR	10Ω,1/16W
R7333		NRSA63J-223X	MG RESISTOR	22kΩ,1/16W
R7334		NRSA63J-223X	MG RESISTOR	22kΩ,1/16W
R7335		NRSA63J-103X	MG RESISTOR	10kΩ,1/16W
R7336		NRSA63J-473X	MG RESISTOR	47kΩ,1/16W
R7401		NRSA63J-271X	MG RESISTOR	270Ω,1/16W
R7402		NRSA63J-102X	MG RESISTOR	1kΩ,1/16W
R7403		NRVA63D-333X	CMF RESISTOR	33kΩ,1/16W
R7404		NRVA63D-153X	CMF RESISTOR	15kΩ,1/16W
R7405		NRSA63J-100X	MG RESISTOR	10Ω,1/16W
R7406		NRSA63J-100X	MG RESISTOR	10Ω,1/16W
R7407		NRSA63J-100X	MG RESISTOR	10Ω,1/16W
R7414		NRSA63J-0R0X	MG RESISTOR	0Ω,1/16W
R7415		NRSA63J-0R0X	MG RESISTOR	0Ω,1/16W
R7416		NRSA63J-472X	MG RESISTOR	4.7kΩ,1/16W
R7417		NRVA63D-562X	CMF RESISTOR	5.6kΩ,1/16W
R7418		NRVA63D-562X	CMF RESISTOR	5.6kΩ,1/16W
R7420		NRSA63J-393X	MG RESISTOR	39kΩ,1/16W
R7421		NVP0016-473X	TRIM RESISTOR,PLL(VF)	
R7422		NRSA63J-752X	MG RESISTOR	7.5kΩ,1/16W
R7423		NRSA63J-333X	MG RESISTOR	33kΩ,1/16W
R7424		NRSA63J-103X	MG RESISTOR	10kΩ,1/16W
R7425		NRSA63J-102X	MG RESISTOR	1kΩ,1/16W
R7426		NRSA63J-103X	MG RESISTOR	10kΩ,1/16W
R7501		NRVA63D-103X	CMF RESISTOR	10kΩ,1/16W
R7502		NRVA63D-123X	CMF RESISTOR	12kΩ,1/16W
R7503		NRVA63D-334X	CMF RESISTOR	330kΩ,1/16W
R7504		NRSA63J-394X	MG RESISTOR	390kΩ,1/16W
R7505		NRSA63J-562X	MG RESISTOR	5.6kΩ,1/16W
R7506		NRSA63J-183X	MG RESISTOR	18kΩ,1/16W
R7507		NRSA63J-472X	MG RESISTOR	4.7kΩ,1/16W
R7508		NRS181J-335X	MG RESISTOR	3.3MΩ,1/8W
R7509		NRS181J-335X	MG RESISTOR	3.3MΩ,1/8W
R7510		NRSA63J-223X	MG RESISTOR	22kΩ,1/16W
R7511		NRSA63J-751X	MG RESISTOR	750Ω,1/16W
R7512		NRSA63J-822X	MG RESISTOR	8.2kΩ,1/16W
R7513		NRSA63J-273X	MG RESISTOR	27kΩ,1/16W

#	△ REF No.	PART No.	PART NAME, DESCRIPTION
R7514		NRSA63J-124X	MG RESISTOR 120kΩ,1/16W
R7515		NRSA63J-151X	MG RESISTOR 150Ω,1/16W
R7516		NRSA63J-151X	MG RESISTOR 150Ω,1/16W
R7517		NRSA63J-122X	MG RESISTOR 1.2kΩ,1/16W
R7518		NRSA63J-332X	MG RESISTOR 3.3kΩ,1/16W
R7519		NRSA63J-163X	MG RESISTOR 16kΩ,1/16W
R7520		NRSA63J-393X	MG RESISTOR 39kΩ,1/16W
R7521		NRVA63D-153X	CMF RESISTOR 15kΩ,1/16W
R7523		NRVA63D-184X	CMF RESISTOR 180kΩ,1/16W
R7524		NRVA63D-114X	CMF RESISTOR 110kΩ,1/16W
R7525		NRSA63J-333X	MG RESISTOR 33kΩ,1/16W
R7526		NRSA63J-221X	MG RESISTOR 220Ω,1/16W
C7301		NCB21CK-105X	CAPACITOR 1μF,16V
C7302		NCB31CK-104X	CAPACITOR 0.1μF,16V
C7303		NBE20JM-226X	T CAPACITOR 22μF,6.3V
C7304		NCB31EK-103X	CAPACITOR 0.01μF,25V
C7305		NCB21CK-105X	CAPACITOR 1μF,16V
C7306		NCB21CK-105X	CAPACITOR 1μF,16V
C7307		NCB21CK-105X	CAPACITOR 1μF,16V
C7308		NBP41CM-106X	T CAPACITOR 10μF,16V
C7309		NCB21CK-105X	CAPACITOR 1μF,16V
C7310		NCB31CK-104X	CAPACITOR 0.1μF,16V
C7311		NBP41CM-106X	T CAPACITOR 10μF,16V
C7312		NCB31CK-104X	CAPACITOR 0.1μF,16V
C7313		NCB31CK-104X	CAPACITOR 0.1μF,16V
C7314		NBE20JM-226X	T CAPACITOR 22μF,6.3V
C7315		NCB31CK-104X	CAPACITOR 0.1μF,16V
C7316		NCB21CK-105X	CAPACITOR 1μF,16V
C7317		NCB31CK-104X	CAPACITOR 0.1μF,16V
C7318		NCB31CK-104X	CAPACITOR 0.1μF,16V
C7319		NCB31CK-104X	CAPACITOR 0.1μF,16V
C7320		NDC31HJ-300X	CAPACITOR 30pF,50V
C7321		NCB31HK-102X	CAPACITOR 0.001μF,50V
C7322		NCB31EK-103X	CAPACITOR 0.01μF,25V
C7323		NCB31HK-682X	CAPACITOR 0.0068μF,50V
C7324		NCB11AK-335X	CAPACITOR 3.3μF,10V
C7330		NCB21CK-105X	CAPACITOR 1μF,16V
C7331		NCB10JK-106X	CAPACITOR 10μF,6.3V
C7332		NCB21CK-105X	CAPACITOR 1μF,16V
C7333		NCB21CK-105X	CAPACITOR 1μF,16V
C7335		NCB31CK-104X	CAPACITOR 0.1μF,16V
C7336		NCB21CK-105X	CAPACITOR 1μF,16V
C7337		NCB21CK-105X	CAPACITOR 1μF,16V
C7338		NCB31EK-103X	CAPACITOR 0.01μF,25V
C7401		NCB21CK-105X	CAPACITOR 1μF,16V
C7402		NCB31CK-104X	CAPACITOR 0.1μF,16V
C7403		NBE20JM-226X	T CAPACITOR 22μF,6.3V
C7404		NCB31EK-103X	CAPACITOR 0.01μF,25V
C7405		NCB21CK-105X	CAPACITOR 1μF,16V
C7406		NCB21CK-105X	CAPACITOR 1μF,16V
C7407		NCB21CK-105X	CAPACITOR 1μF,16V
C7408		NBP41CM-106X	T CAPACITOR 10μF,16V
C7410		NCB31CK-104X	CAPACITOR 0.1μF,16V
C7411		NBP41CM-106X	T CAPACITOR 10μF,16V
C7412		NCB31CK-104X	CAPACITOR 0.1μF,16V
C7413		NCB31CK-104X	CAPACITOR 0.1μF,16V
C7414		NBE20JM-226X	T CAPACITOR 22μF,6.3V
C7415		NCB31CK-104X	CAPACITOR 0.1μF,16V
C7416		NCB21CK-105X	CAPACITOR 1μF,16V
C7417		NCB31CK-104X	CAPACITOR 0.1μF,16V
C7418		NCB31CK-104X	CAPACITOR 0.1μF,16V
C7419		NCB31CK-104X	CAPACITOR 0.1μF,16V
C7420		NDC31HJ-300X	CAPACITOR 30pF,50V

#	△ REF No.	PART No.	PART NAME, DESCRIPTION
C7421		NDC31HJ-221X	CAPACITOR 220pF,50V
C7422		NCB31EK-103X	CAPACITOR 0.01μF,25V
C7423		NCB31HK-682X	CAPACITOR 0.0068μF,50V
C7424		NCB11AK-335X	CAPACITOR 3.3μF,10V
C7425		NCB31EK-103X	CAPACITOR 0.01μF,25V
C7501		NCB31CK-104X	CAPACITOR 0.1μF,16V
C7502		NCB10JK-106X	CAPACITOR 10μF,6.3V
C7503		NCB11AK-335X	CAPACITOR 3.3μF,10V
C7504		NBP41CM-106X	T CAPACITOR 10μF,16V
C7505		NCB31EK-103X	CAPACITOR 0.01μF,25V
C7506		NBE90JM-685X	T CAPACITOR 6.8μF,6.3V
C7507		NDC31HJ-331X	CAPACITOR 330pF,50V
C7508		NCB31CK-104X	CAPACITOR 0.1μF,16V
C7509		NBP21CM-685X	T CAPACITOR 6.8μF,16V
L7301		NQL085J-3R3X	COIL 3.3μH
L7302		NQL315K-100X	COIL 10μH
L7303		NQL315K-100X	COIL 10μH
L7304		NQL315K-100X	COIL 10μH
L7401		NQL085J-100X	COIL 10μH
L7402		NQL315K-100X	COIL 10μH
L7501		NQL144K-220X	COIL 22μH
T7501		NQS0052-001X	SW TRANSF
T7502		NAX0334-001	PIEZOELE TRANSF
CN7501		QGF0304F1-39X	FFC/FPC CONNECTOR
CN7502		QGF0517F1-24X	FPC CONNECTOR
△ F7501		NMFZ009-R50X-J1	FUSE T0.5A

JACK BOARD ASSEMBLY <07>

PW1	YB10305A1-03	JACK BOARD ASSY
IC2822	TC7S04FU	IC(DIGITAL)
Q2801	DTC144EE	TRANSISTOR
	or RN1104	TRANSISTOR
	or UN9213J	TRANSISTOR
Q2821	2SC4617/QR/-X	TRANSISTOR
D2821	EMZ6.8N	ZENER DIODE
D2822	EMZ6.8N	ZENER DIODE
D2823	EMZ6.8N	ZENER DIODE
D2825	RB715F	SB DIODE
R2801	NRSA63J-0R0X	MG RESISTOR 0Ω,1/16W
R2802	NRSA63J-0R0X	MG RESISTOR 0Ω,1/16W
R2803	NRSA63J-0R0X	MG RESISTOR 0Ω,1/16W
R2804	NRSA63J-0R0X	MG RESISTOR 0Ω,1/16W
R2805	NRSA63J-0R0X	MG RESISTOR 0Ω,1/16W
R2806	NRSA63J-0R0X	MG RESISTOR 0Ω,1/16W
R2807	NRSA63J-0R0X	MG RESISTOR 0Ω,1/16W
R2808	NRSA63J-0R0X	MG RESISTOR 0Ω,1/16W
R2809	NRSA63J-473X	MG RESISTOR 47kΩ,1/16W
R2810	NRSA63J-103X	MG RESISTOR 10kΩ,1/16W
R2812	NRSA63J-103X	MG RESISTOR 10kΩ,1/16W
R2813	NRSA63J-473X	MG RESISTOR 47kΩ,1/16W
R2814	NRSA63J-104X	MG RESISTOR 100kΩ,1/16W
R2816	NRSA63J-0R0X	MG RESISTOR 0Ω,1/16W
R2818	NRSA63J-473X	MG RESISTOR 47kΩ,1/16W
R2821	NRSA63J-101X	MG RESISTOR 100Ω,1/16W
R2822	NRSA63J-470X	MG RESISTOR 47Ω,1/16W
R2823	NRSA63J-101X	MG RESISTOR 100Ω,1/16W
R2824	NRSA63J-101X	MG RESISTOR 100Ω,1/16W

#	△ REF No.	PART No.	PART NAME, DESCRIPTION
R2825		NRSA63J-101X	MG RESISTOR 100Ω,1/16W
R2826		NRSA63J-101X	MG RESISTOR 100Ω,1/16W
R2828		NRSA63J-472X	MG RESISTOR 4.7kΩ,1/16W
R2829		NRSA63J-103X	MG RESISTOR 10kΩ,1/16W
R2830		NRSA63J-0R0X	MG RESISTOR 0Ω,1/16W
R2831		NRSA63J-0R0X	MG RESISTOR 0Ω,1/16W
R2832		NRSA63J-0R0X	MG RESISTOR 0Ω,1/16W
R2833		NRSA63J-0R0X	MG RESISTOR 0Ω,1/16W
R2841		NRSA63J-0R0X	MG RESISTOR 0Ω,1/16W
R2844		NRSA63J-0R0X	MG RESISTOR 0Ω,1/16W
R2845		NRSA63J-0R0X	MG RESISTOR 0Ω,1/16W
R2848		NRSA63J-0R0X	MG RESISTOR 0Ω,1/16W
R2861		NRSA63J-103X	MG RESISTOR 10kΩ,1/16W
R2862		NRSA63J-391X	MG RESISTOR 390Ω,1/16W
R2883		NRSA63J-0R0X	MG RESISTOR 0Ω,1/16W
R2885		NRSA63J-0R0X	MG RESISTOR 0Ω,1/16W
C2802		NBE80JM-106X	T CAPACITOR 10μF,6.3V
C2821		NCB31EK-103X	CAPACITOR 0.01μF,25V
C2841		NCB31CK-683X	CAPACITOR 0.068μF,16V
C2842		NCB31CK-683X	CAPACITOR 0.068μF,16V
C2843		NCB31HK-102X	CAPACITOR 0.001μF,50V
C2844		NCB31HK-102X	CAPACITOR 0.001μF,50V
C2848		NCB31HK-472X	CAPACITOR 0.0047μF,50V
C2849		NCB31HK-472X	CAPACITOR 0.0047μF,50V
C2881		NCB31EK-103X	CAPACITOR 0.01μF,25V
C2882		NCB31EK-103X	CAPACITOR 0.01μF,25V
C2883		NCB31EK-103X	CAPACITOR 0.01μF,25V
L2801		NQR0129-002X	FERRITE BEAD
L2821		NQR0006-001X	FERRITE BEAD
L2841		NQR0251-004X	FERRITE BEAD
L2842		NQR0251-004X	FERRITE BEAD
L2843		NQR0251-004X	FERRITE BEAD
L2844		NQR0251-004X	FERRITE BEAD
L2845		NQR0251-004X	FERRITE BEAD
J301		NNZ0038-001X	D CONNECTOR,PRINTER
J302		QNS0012-001	3.5 JACK,HP
J303		QNS0078-001	3.5 JACK,AV
CN301		QGF0301F1-45X	FPC CONNECTOR
CN302		NNZ0042-001X	SD CARD CONNECTOR
CN303		QGF0501F1-11X	FPC CONNECTOR
CN304		QGA1201F2-02X	CONNECTOR
△ BT301		QAB0020-001	LI BATTERY

EJECT BOARD ASSEMBLY <08>

PW2	YB10305A2-01	EJECT BOARD ASSY
R2421	NRSA63J-103X	MG RESISTOR 10kΩ,1/16W
R2424	NRSA63J-103X	MG RESISTOR 10kΩ,1/16W
R2425	NRSA63J-103X	MG RESISTOR 10kΩ,1/16W
S2421	NSW0094-001X	DETECT SWITCH,EJECT SW
CN2421	QGF0512C1-12X	FPC CONNECTOR
CN2422	QGF0501F2-13X	FPC CONNECTOR

#	△ REF No.	PART No.	PART NAME, DESCRIPTION
---	-----------	----------	------------------------

DECK OPE. BOARD ASSEMBLY <09>

PW3	YB10305A3-01	DECK OPE.BOARD ASSY
R2432	NRSA63J-152X	MG RESISTOR 1.5kΩ,1/16W
R2433	NRSA63J-182X	MG RESISTOR 1.8kΩ,1/16W
R2434	NRSA63J-272X	MG RESISTOR 2.7kΩ,1/16W
R2437	NRSA63J-152X	MG RESISTOR 1.5kΩ,1/16W
R2438	NRSA63J-182X	MG RESISTOR 1.8kΩ,1/16W
R2439	NRSA63J-272X	MG RESISTOR 2.7kΩ,1/16W
R2440	NRSA63J-0R0X	MG RESISTOR 0Ω,1/16W
R2441	NRSA63J-0R0X	MG RESISTOR 0Ω,1/16W
R2442	NRSA63J-0R0X	MG RESISTOR 0Ω,1/16W
R2443	NRSA63J-0R0X	MG RESISTOR 0Ω,1/16W
R2444	NRSA63J-0R0X	MG RESISTOR 0Ω,1/16W
R2445	NRSA63J-0R0X	MG RESISTOR 0Ω,1/16W
C2431	NCB31EK-103X	CAPACITOR 0.01μF,25V
S2431	NSW0035-001X	TACT SWITCH,STOP
S2432	NSW0035-001X	TACT SWITCH,REW
S2433	NSW0035-001X	TACT SWITCH,PB
S2434	NSW0035-001X	TACT SWITCH,FF
S2435	NSW0035-001X	TACT SWITCH,P MEDIA
S2436	NSW0071-001X	DETECT SWITCH,MONI OPEN
CN2431	QGF0517F1-08X	FPC CONNECTOR
CN2432	QGF0517F1-06X	FPC CONNECTOR

CCD BOARD ASSEMBLY <10>

PW	YB10307A-01	CCD BOARD ASSY
Q5201	2SC3935/Q/-X	TRANSISTOR
R5201	NRSA63J-122X	MG RESISTOR 1.2kΩ,1/16W
C5202	NCF31EZ-104X	CAPACITOR 0.1μF,25V
C5203	NBE41AM-476X	T CAPACITOR 47μF,10V
C5204	NCB31CK-104X	CAPACITOR 0.1μF,16V
C5205	NCB31CK-104X	CAPACITOR 0.1μF,16V
C5206	NBZ0003-475X	T CAPACITOR 4.7μF
C5207	NCF31EZ-104X	CAPACITOR 0.1μF,25V
C5208	NCB31HK-222X	CAPACITOR 0.0022μF,50V
C5209	NCB21EK-104X	CAPACITOR 0.1μF,25V
WR1	WJR0018-001A	E-SH C WIRE C-F,CCD OUT-MAIN CN101